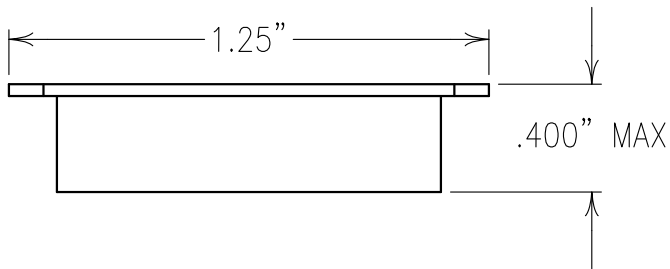


2

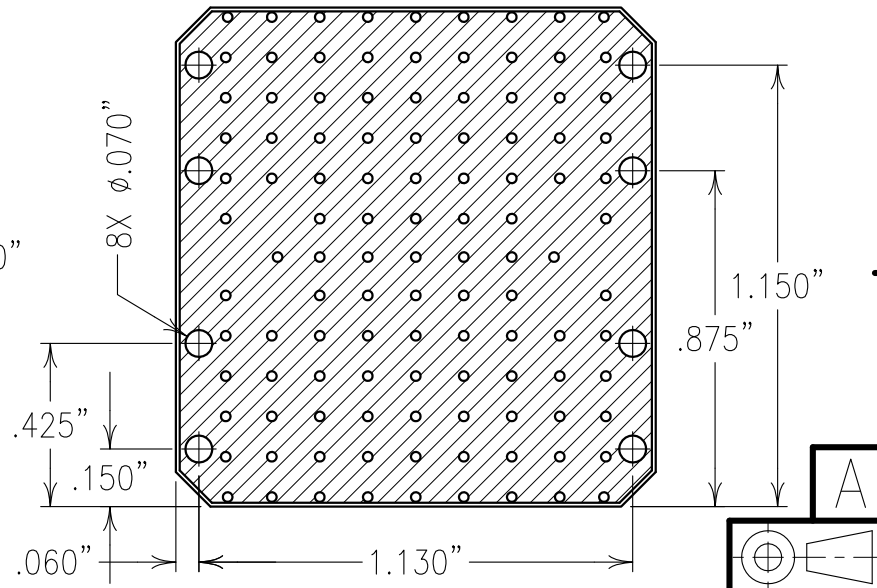
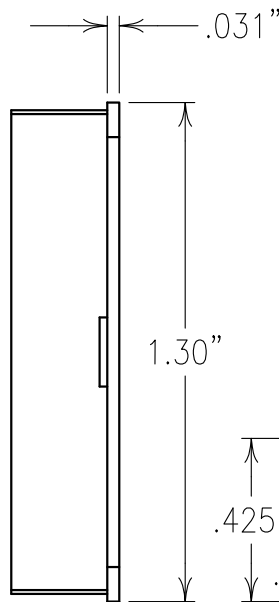
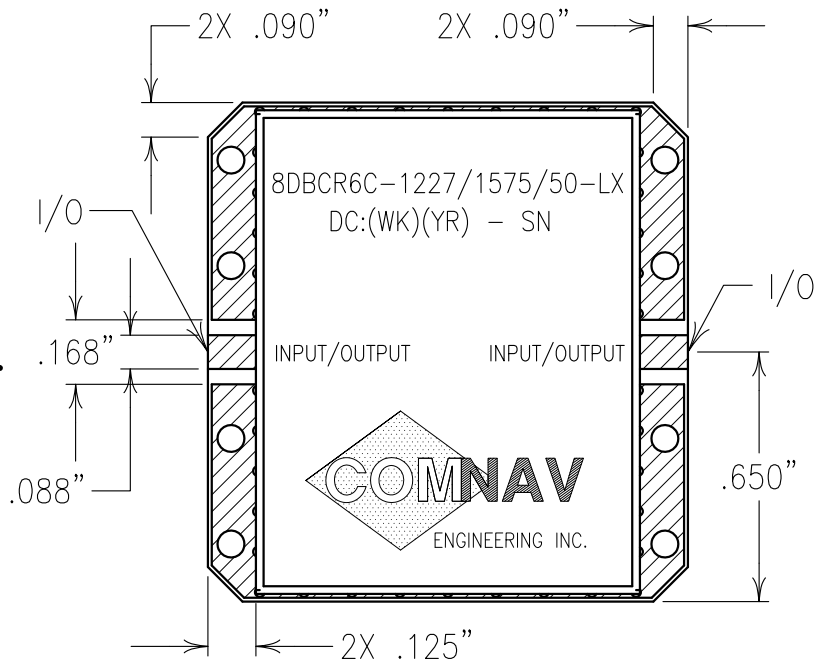
1



**COPY**

**ELECTRICAL CHARACTERISTICS**

CENTER FREQUENCY: 1227.6 AND 1575.42 MHz  
 PASSBAND BANDWIDTH: ±15 MHz  
 GAIN VARIATION IN BW: 0.5 dB MAX  
 PASSBAND INSERTION LOSS: 1.7 dB MAX  
 PASSBAND RETURN LOSS: 15 dB MIN  
 3 dB BW: FO±20 MHz TO FO±28 MHz  
 20 dB BW: FO±50 MHz MAX  
 40 dB BW: FO±100 MHz MAX  
 POWER HANDLING:  
 IN BAND: 5 W CW 150 W PEAK  
 OUT OF BAND: 12.5 W CW 1250 W PEAK  
 OPERATING TEMPERATURE: -40 TO +65°C



Confidential and Proprietary information of ComNav Engineering Inc. Do Not Duplicate or Use Without Permission. ComNav Engineering Inc. claims Copyright in this document as of the Creation, last revision, and last updated dates. All Rights Reserved.

NOTES:

FILTER IS ROHS COMPLIANT.  
 FILTER MAY BE LABELED OR ETCHED.

ENGLISH / METRIC ENGLISH		CHECKED BY							
TOLERANCES UNLESS OTHERWISE SPECIFIED		DRAWN BY							
MACHINED SURFACES TO BE 125 / OR BETTER		PBF				II	05APR11	KJR	DEV.
REMOVE ALL BURRS		ENGINEER				REV	DATE	BY	DCN No.
		KJR							INI. ISS. PER 3371
REMARKS									
ENGLISH (INCHES)	METRIC (MM)	SCALE		APPLIC:					
.XX ±.02	.X ±.25	2:1		CERAMIC COAXIAL FILTER					
.XXX ±.010	.XX ±.13	DATE		TITLE:					
ANGLES ± 0° 30'		13APR11		8DBCR6C-1227/1575/50-LX					
FINISH:		BOARD: NI/AU PLATED COPPER				DRAWING No.		SHEET OF	
JACKET: NI/SILVER		RESONATOR: SILVER				OL1191		1 1	