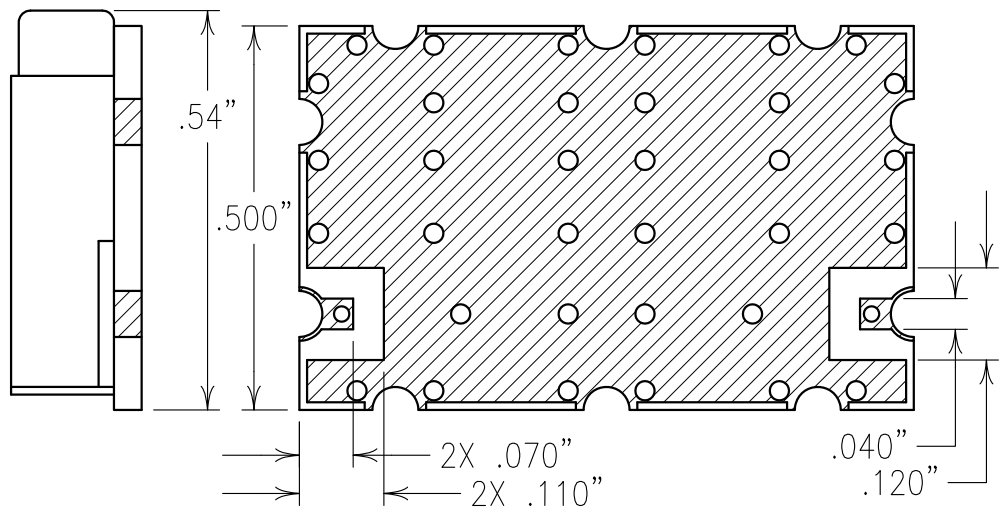
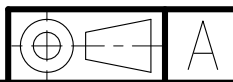


COPY



ELECTRICAL CHARACTERISTICS	
2 dB PASSBAND:	1590-1800 MHz
VSWR:	1.7:1 TYP.
INSERTION LOSS:	2.0 dB MAX. @ 1650-1800 MHz
GROUP DELAY VARIATION:	1590-1800MHz: 50 nSEC MAX
REJECTION:	50 dBc MIN. @ 900-1490 MHz
	50 dBc MIN. @ 3000-3500 MHz
INPUT POWER:	+27 dBm
OPERATING TEMPERATURE:	-40° TO +70° C



Confidential and Proprietary information of ComNav Engineering Inc. Do Not Duplicate or Use Without Permission. ComNav Engineering Inc. claims Copyright in this document as of the Creation, last revision, and last updated dates. All Rights Reserved.

NOTES:
 FILTER IS ROHS COMPLIANT.
 FILTER MAY BE LABELED OR ETCHED.

ENGLISH / METRIC ENGLISH	CHECKED BY					
TOLERANCES UNLESS OTHERWISE SPECIFIED TO BE 125 OR BETTER REMOVE ALL BURRS	DRAWN BY EEF	A	05MAY11	KJR	DEV. GEN. REV. PER 3386	
	ENGINEER KJR	II	02MAR11	KJR	DEV. INI. ISS. PER 3348	
		REV	DATE	BY	DCN No. REMARKS	
ENGLISH (INCHES) .XX ±.02 .XXX ±.010	METRIC (MM) .X ±.50 .XX ±.25	SCALE 4:1	APPLIC: CERAMIC COAXIAL FILTER			
ANGLES ± 0° 30'	DATE 05MAY11	TITLE: 6BCR3C-1695/C280-L				
	FINISH: BOARD: NICKEL/GOLD JACKET: NICKEL/SILVER RESONATOR: SILVER	DRAWING No. 0L1183	SHEET OF 1 1			