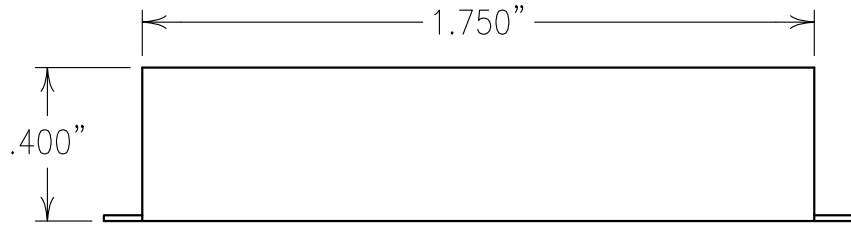
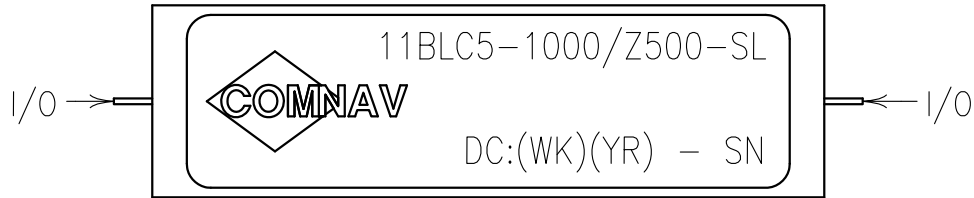


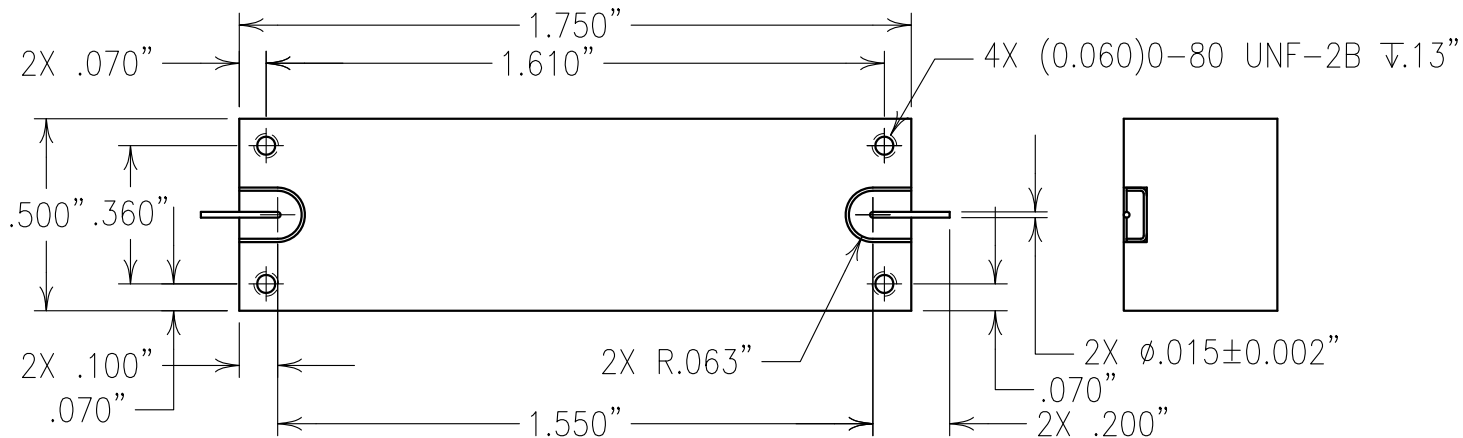
2

1

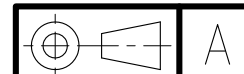


ELECTRICAL CHARACTERISTICS

CENTER FREQUENCY:	1000 MHz
PASSBAND REGION:	750-1270 MHz
PASSBAND INSERTION LOSS:	<3 dB
PASSBAND RETURN LOSS:	15 dB
REJECTION:	
DC-600 MHz:	60 dBc
1400-4000 MHz:	60 dBc
PASSBAND FLATNESS:	1.0 dB MAX
GROUP DELAY VARIATION:	
790-1210 MHz:	<2.5 nSEC
775-1225 MHz:	<3.5 nSEC
750-1250 MHz:	<5.5 nSEC
POWER HANDLING:	1 WATT CW



COPY



Confidential and Proprietary information of ComNav Engineering Inc. Do Not Duplicate or Use Without Permission. ComNav Engineering Inc. claims Copyright in this document as of the Creation, last revision, and last updated dates. All Rights Reserved.

NOTES:
100 % ELECTRICAL DATA PROVIDED.
TUNERS MUST USE TEST FIXTURE TF0074.

FILTER IS ROHS COMPLIANT.

ENGLISH / METRIC ENGLISH	CHECKED BY C	29NOV12	KJR	DEV.	GEN. REV. PER 3602
TOLERANCES UNLESS OTHERWISE SPECIFIED MACHINED SURFACES TO BE 125 OR BETTER REMOVE ALL BURRS	DRAWN BY PBF	B	07APR11	KJR	DEV. GEN. REV. PER 3373
	ENGINEER KJR	A	14MAR11	KJR	DEV. GEN. REV. PER 3357
	REV	DATE	BY	DCN No.	REMARKS
ENGLISH (INCHES) .XX ±.02 .XXX ±.010 ANGLES ± 0° 30'	METRIC (MM) .X ±.25 .XX ±.13	SCALE 2:1	APPLIC: CHIP AND WIRE FILTER		
		DATE 30NOV12	TITLE: 11BLC5-1000/Z500-SL		
COMNAV ENGINEERING INC.	MATERIAL: COVER: NICKEL/SILVER BASE: ALUMINUM 6061-T6		DRAWING No.		SHEET OF 1 1
	FINISH: COVER: NONE BASE: TIN PLATED PER MIL-T-10727		OL1178		