

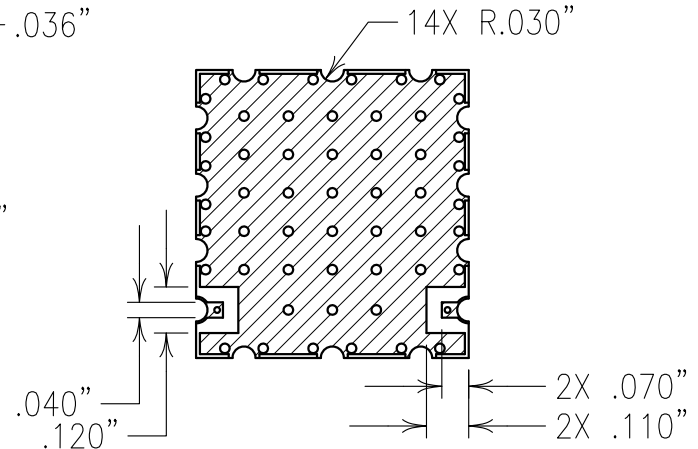
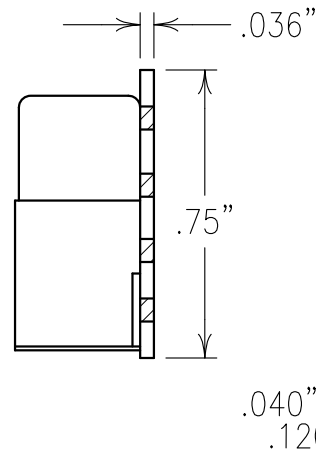
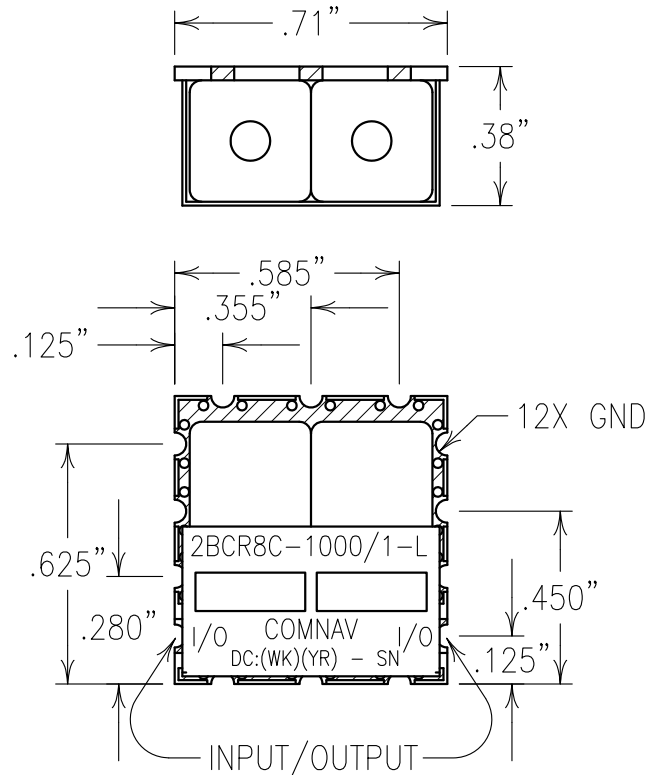
2

1

**COPY**

### ELECTRICAL CHARACTERISTICS

CENTER FREQUENCY: 1000 MHz  
 3.0 dB PASSBAND: 1.0 MHz NOM.  
 INSERTION LOSS: 17.0 dB MAX @ FO  
 VSWR: 1.5:1 TYP.  
 REJECTION: 5.0 dBc MIN @ 998 MHz  
 REJECTION: 5.0 dBc MIN @ 1002 MHz  
 OPERATING TEMP: -25°C TO +85°C  
 STORAGE TEMP: -40°C TO +85°C



NOTES:  
 FILTER MAY BE LABELED OR ETCHED.  
 FILTER IS ROHS COMPLIANT.

Confidential and Proprietary information of ComNav Engineering Inc. Do Not Duplicate or Use Without Permission. ComNav Engineering Inc. claims Copyright in this document as of the Creation, last revision, and last updated dates. All Rights Reserved.

ENGLISH / METRIC ENGLISH		CHECKED BY							
TOLERANCES UNLESS OTHERWISE SPECIFIED		DRAWN BY		PBF					
MACHINED SURFACES TO BE 125 OR BETTER		ENGINEER		KJR		REV		DATE	
REMOVE ALL BURRS		KJR		20JAN11		KJR		DEV.	
						DCN No.		REMARKS	
ENGLISH (INCHES)		METRIC (MM)		SCALE		APPLIC: CERAMIC COAXIAL FILTER			
.XX ±.02		.X ±.25		2:1		TITLE: 2BCR8C-1000/1-L			
.XXX ±.010		.XX ±.13		DATE					
ANGLES ± 0° 30'		20JAN11							
COMNAV ENGINEERING INC.		FINISH: BOARD: NI/GOLD JACKET: NI/SILVER RESONATOR: SILVER				DRAWING No. OL1177		SHEET OF 1 1	