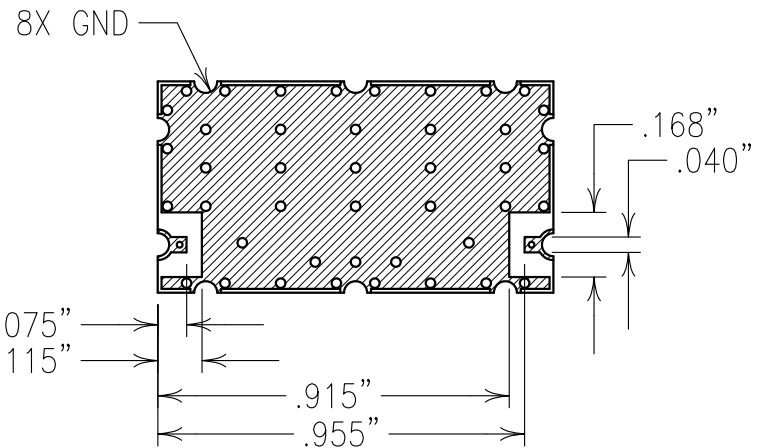
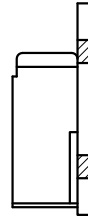
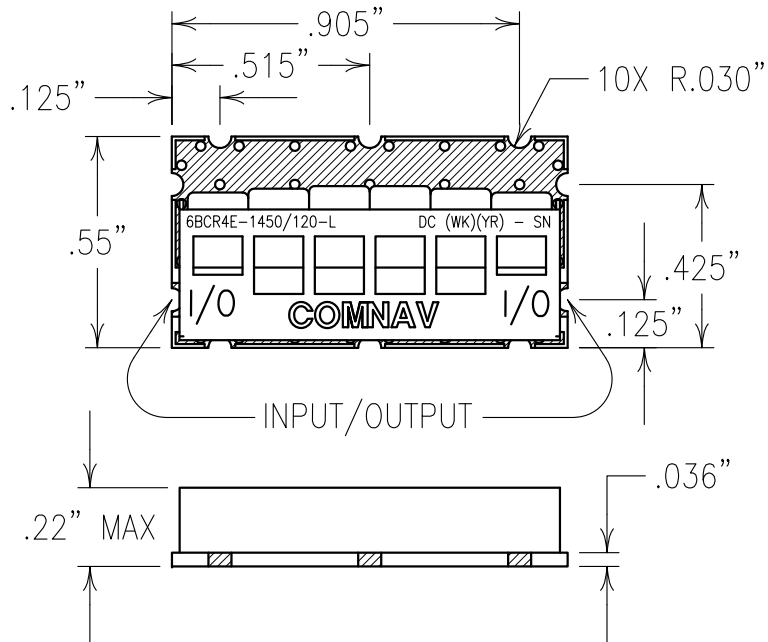


COPY



ELECTRICAL CHARACTERISTICS

CENTER FREQUENCY:	1450 MHz
0.5 dB BANDWIDTH:	80 MHz
3 dB BANDWIDTH:	100 MHz
INSERTION LOSS @ 1450 MHz:	2 dB MAX
TYPICAL 40 dB BANDWIDTH:	280 MHz MAX
ATTENUATION:	
1120-1220 MHz:	50 dBc MIN 60 dBc GOAL
MAX. GROUP DELAY VARIATION OVER 80 MHz BANDWIDTH:	10 nSEC MAX
OPERATING TEMPERATURE:	-40 TO +70°C

B

NOTES:

RECOMMENDED FOOTPRINT: FP0123.

NO TIN PLATING UNDER SOLDER MASK.

RECOMMENDED ATTACHMENT METHOD: SILVER EPOXY

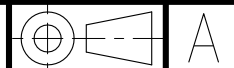
OR REFLOW NOT TO EXCEED AS INDICATED BELOW:

TEMP.(°C) MAX.TIME(SEC)

215	90
230	60
245	30
260	15

FILTER IS ROHS COMPLIANT.
FILTER MAY BE ETCHED OR LABELED.

Confidential and Proprietary information of ComNav Engineering Inc. Do Not Duplicate or Use Without Permission. ComNav Engineering Inc. claims Copyright in this document as of the Creation, last revision, and last updated dates. All Rights Reserved.



ENGLISH / METRIC		CHECKED BY							
ENGLISH		DRAWN BY							
TOLERANCES UNLESS OTHERWISE SPECIFIED		ENGINEER				II	04JAN11	KJR	DEV.
MACHINED SURFACES TO BE 125 / OR BETTER		REMOVE ALL BURRS				REV	DATE	BY	DCN No.
ENGLISH (INCHES)		METRIC (MM)		SCALE		APPLIC:			
.XX ±.02		.X ±.25		2:1		CERAMIC COAXIAL FILTER			
.XXX ±.010		.XX ±.13		DATE		TITLE:			
ANGLES ± 0° 30'		06JAN11		6BCR4E-1450/120-L					
FINISH:		BOARD: NI/AU PLATED COPPER				DRAWING No.		SHEET OF	
COMNAV ENGINEERING INC		JACKET: NI/SILVER				OL1170		1 1	
		RESONATOR: SILVER							

A