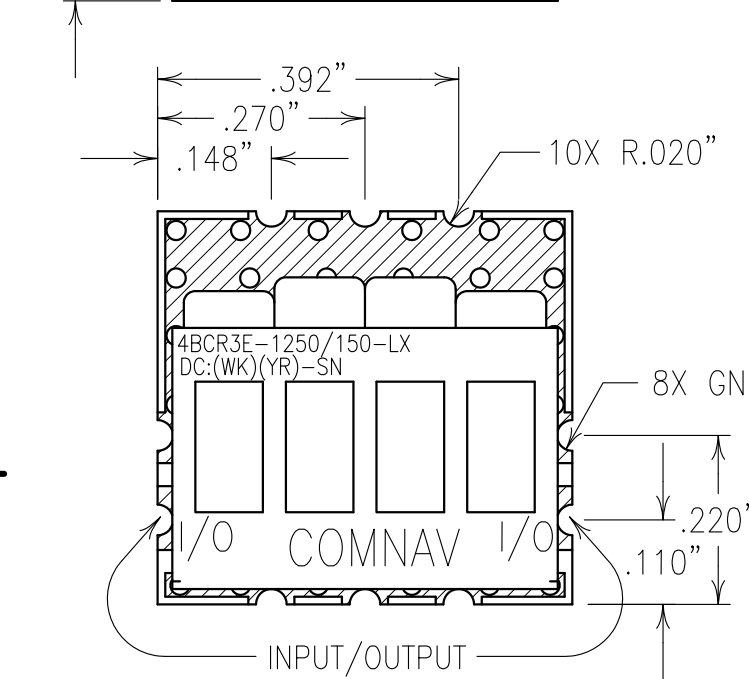
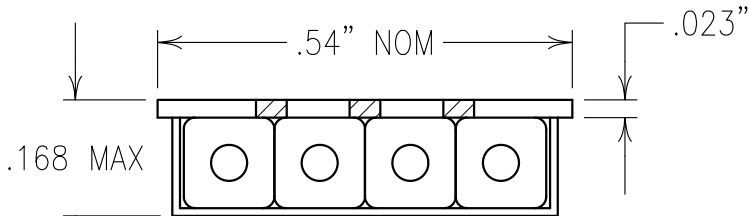
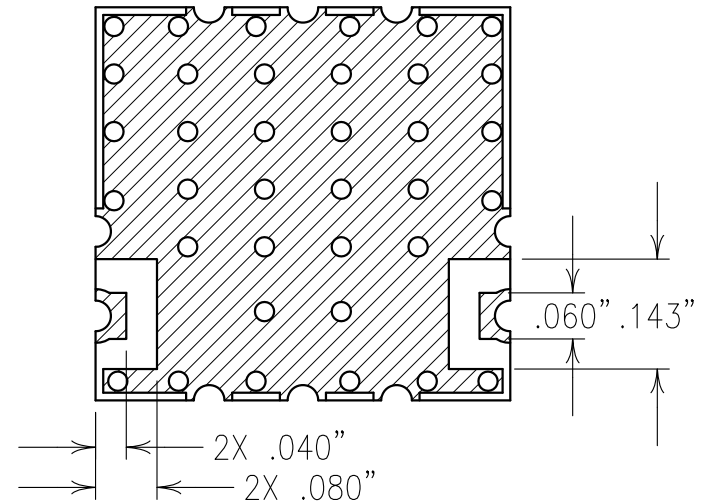
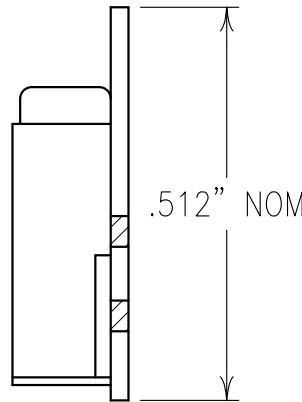


2

1



**COPY**



### ELECTRICAL CHARACTERISTICS

CENTER FREQUENCY:	1250 MHz NOM
1 dB BANDWIDTH (BW):	FO±50 MHz MIN
INSERTION LOSS @ BW:	2.5 dB MAX.
PASSBAND VARIATION:	1.35 dB MAX
RETURN LOSS @ BW:	14 dB MIN
ATTENUATION:	
52 dBc MIN @ 1575 MHz	
60 dBc MIN @ 2430-2590 MHz	
I/O IMPEDANCE:	50 OHMS
TEMP. RANGE:	-40 TO +85°C

#### NOTES:

RECOMMENDED ATTACHMENT METHOD: SILVER EPOXY  
OR REFLOW NOT TO EXCEED AS INDICATED BELOW:

TEMP.(°C)	MAX.TIME(SEC)
215	90
230	60
245	30
260	15

FILTER IS ROHS COMPLIANT.  
FILTER MAY BE ETCHED OR LABELED.

Confidential and Proprietary information of ComNav Engineering Inc. Do Not Duplicate or Use Without Permission. ComNav Engineering Inc. claims Copyright in this document as of the Creation, last revision, and last updated dates. All Rights Reserved.

ENGLISH / METRIC ENGLISH		CHECKED BY								A	
TOLERANCES UNLESS OTHERWISE SPECIFIED		DRAWN BY		PBF						A	
MACHINED SURFACES TO BE 125 OR BETTER		ENGINEER		KJR		REV		DATE		BY	
REMOVE ALL BURRS		KJR		REV		DATE		BY		DCN No.	
ENGLISH (INCHES)		METRIC (MM)		SCALE		APPLIC:		CERAMIC COAXIAL FILTER			
.XX ±.010		.X ±.13		4:1		DATE		TITLE:		4BCR3E-1250/150-LX	
.XXX ±.005		.XX ±.05		13DEC10							
ANGLES ± 0° 30'											
FINISH: BOARD: NICKEL/GOLD		DRAWING No.		SHEET OF							
JACKET: NICKEL/SILVER		OL1163		1 1							
RESONATOR: SILVER											