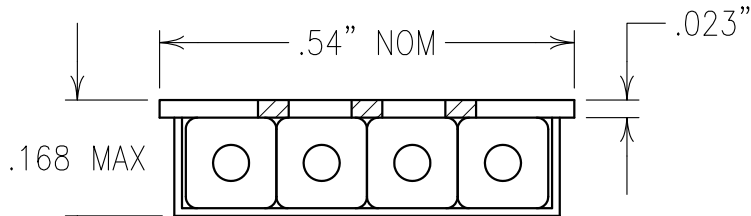


2

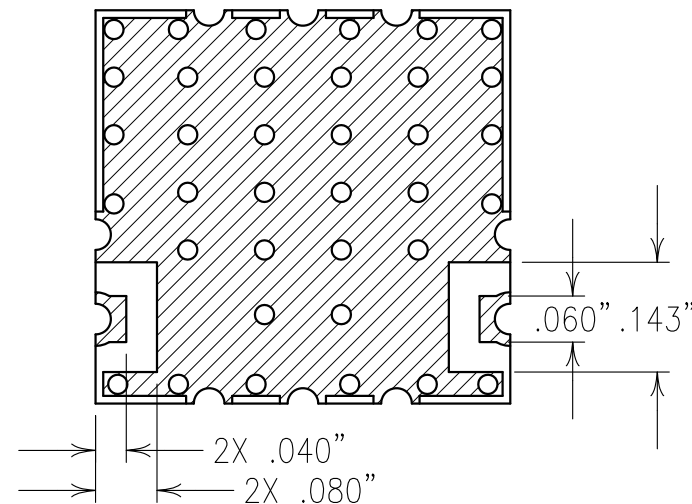
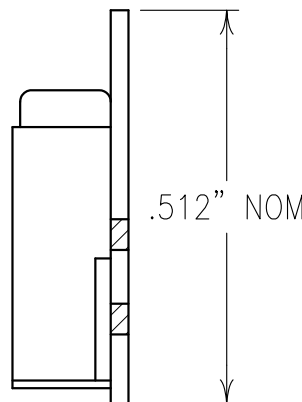
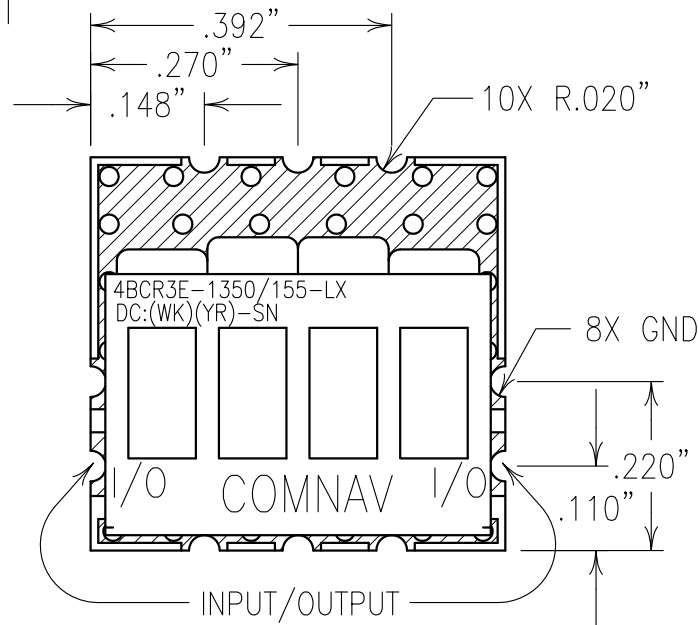
1



COPY

ELECTRICAL CHARACTERISTICS

CENTER FREQUENCY:	1350 MHz NOM
1 dB BANDWIDTH (BW):	FO±50 MHz MIN
INSERTION LOSS @ BW:	2.0 dB MAX.
RIPPLE @ BW:	1.0 dB MAX
RETURN LOSS @ BW:	14 dB MIN
ATTENUATION:	
37 dBc MIN @ 1575 MHz	
40 dBc MIN @ 1600-3000 MHz	
40 dBc MIN @ 100-1100 MHz	
I/O IMPEDANCE:	50 OHMS
TEMP. RANGE:	-40 TO +85°C



NOTES:

RECOMMENDED ATTACHMENT METHOD: SILVER EPOXY OR REFLOW NOT TO EXCEED AS INDICATED BELOW:

TEMP.(°C)	MAX.TIME(SEC)
215	90
230	60
245	30
260	15

FILTER IS ROHS COMPLIANT.
 FILTER MAY BE ETCHED OR LABELED.

Confidential and Proprietary information of ComNav Engineering Inc. Do Not Duplicate or Use Without Permission. ComNav Engineering Inc. claims Copyright in this document as of the Creation, last revision, and last updated dates. All Rights Reserved.

ENGLISH / METRIC ENGLISH	CHECKED BY						
TOLERANCES UNLESS OTHERWISE SPECIFIED	DRAWN BY						
MACHINED SURFACES TO BE 125 OR BETTER REMOVE ALL BURRS	ENGINEER	II	02DEC10	KJR	DEV.	INI. ISS. PER 3297	
ENGLISH (INCHES)	METRIC (MM)	SCALE	APPLIC: CERAMIC COAXIAL FILTER				
.XX ±.010 .XXX ±.005	.X ±.13 .XX ±.05	4:1	TITLE: 4BCR3E-1350/155-LX				
ANGLES ± 0° 30'	DATE	13DEC10	DRAWING No. OL1162				
FINISH: BOARD: NICKEL/GOLD JACKET: NICKEL/SILVER RESONATOR: SILVER		SHEET OF 1 1					