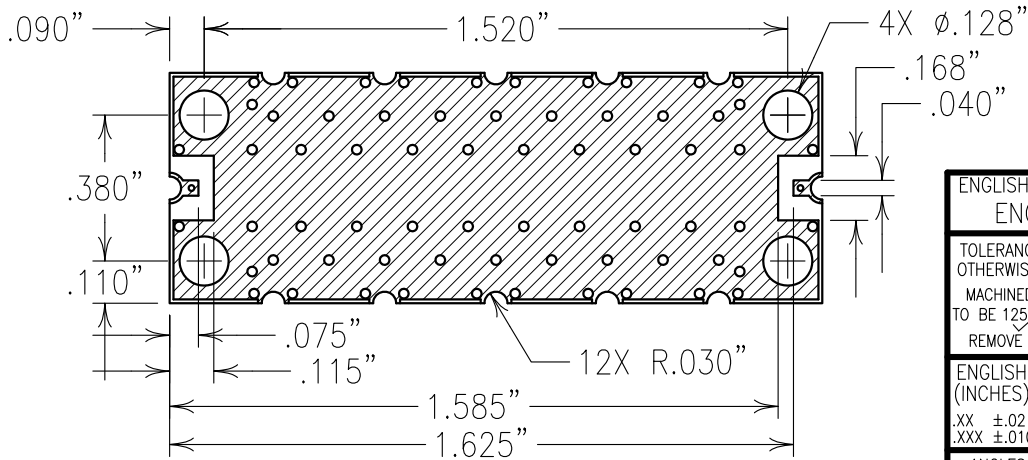
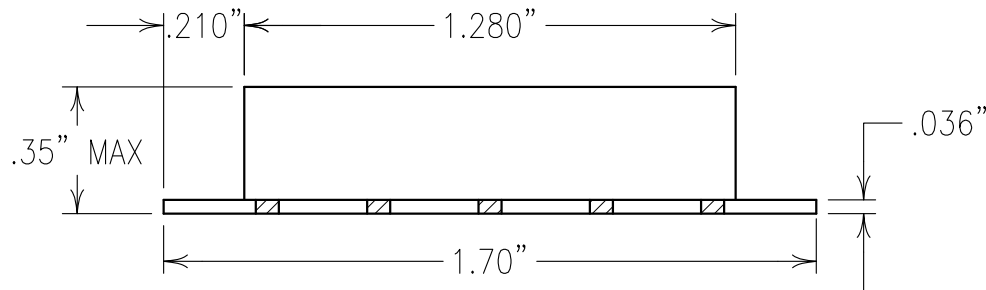
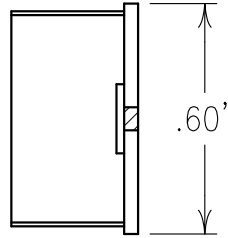
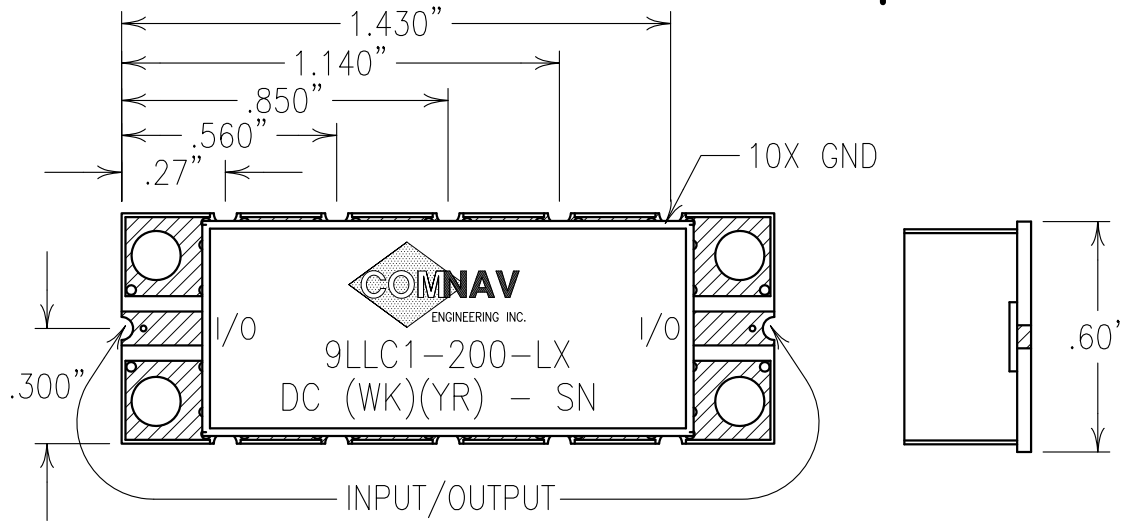


2

1



### ELECTRICAL CHARACTERISTICS

3 dB CUTOFF:	200 MHz
PASSBAND:	100-160 MHz
PASSBAND INSERTION LOSS:	0.5 dB MAX
PASSBAND FLATNESS:	0.1 dB
VSWR:	1.3:1
REJECTION:	
400-1000 MHz:	75 dBc
MAX. POWER HANDLING:	43 dBm

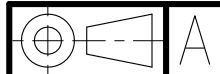
NOTES:

# COPY

NO TIN PLATING UNDER SOLDER MASK.  
 RECOMMENDED ATTACHMENT METHOD:  
 SILVER EPOXY OR REFLOW NOT TO  
 EXCEED AS INDICATED BELOW:

TEMP.(°C)	MAX.TIME(SEC)
215	90
230	60
245	30
260	15

FILTER IS ROHS COMPLIANT.



ENGLISH / METRIC ENGLISH	CHECKED BY					
TOLERANCES UNLESS OTHERWISE SPECIFIED	DRAWN BY					
MACHINED SURFACES TO BE 125 / OR BETTER REMOVE ALL BURRS	PFB	II	02DEC10	KJR	DEV.	GEN. REV. PER 3269
ENGLISH (INCHES) .XX ±.02 .XXX ±.010	ENGINEER KJR	REV	DATE	BY	DCN No.	REMARKS
METRIC (MM) .X ±.25 .XX ±.13	SCALE 2:1	APPLIC: LC FILTER				
ANGLES ± 0° 30'	DATE 02DEC10	TITLE: 9LLC1-200-LX				

Confidential and Proprietary information of ComNav Engineering Inc. Do Not Duplicate or Use Without Permission. ComNav Engineering Inc. claims Copyright in this document as of the Creation, last revision, and last updated dates. All Rights Reserved.



FINISH: BOARD: NI/AU PLATED COPPER  
 JACKET: NI/SILVER  
 RESONATOR: SILVER

DRAWING No.

# OL1161

SHEET OF  
1 1