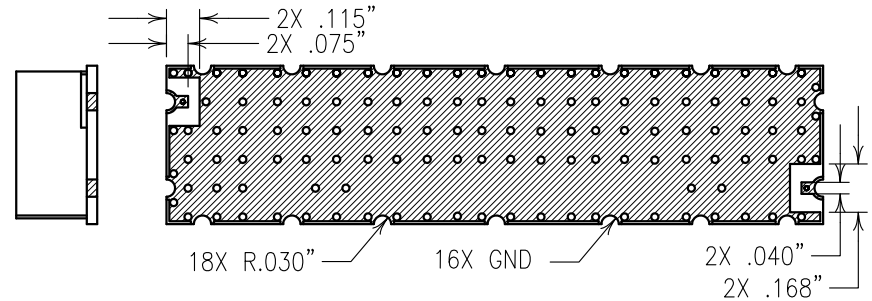
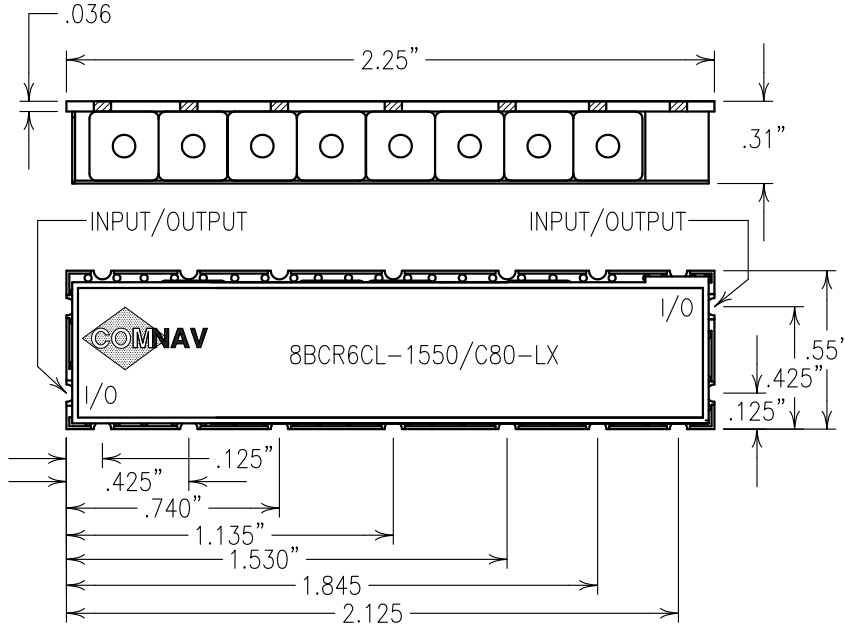


COPY

ELECTRICAL CHARACTERISTICS

CENTER FREQUENCY: 1550 MHz NOM.
 PASSBAND BANDWIDTH: 25 MHz
 PASSBAND RETURN LOSS: 15 dB
 LOW SIDE BANDEDGE: 1537.5 MHz MAX.
 HIGH SIDE BANDEDGE: 1562.5 MHz MIN.
 MAX. INSERTION LOSS: 2.5 dB
 MAX. PASSBAND FLATNESS: 0.25 dB OVER 25 MHz PASSBAND
 PASSBAND PARABOLIC GROUP DELAY: 1.3 nsec MAX.
 REJECTION:
 50 dBc MIN. @ DC to 1488 MHz
 15 dBc MIN. @ 1488-1505 MHz
 50 dBc MIN. @ 1618-3500 MHz
 30 dBc MIN. @ 3500 MHz TO 5000 MHz



NOTES:

RECOMMENDED ATTACHMENT METHOD:
 SILVER EPOXY OR REFLOW NOT TO
 EXCEED AS INDICATED BELOW:

TEMP.(°C)	MAX.TIME(SEC)
215	90
230	60
245	30
260	15

FILTER IS ROHS COMPLIANT.
 FILTER MAY BE LABELED OR ETCHED.

Confidential and Proprietary information of ComNav Engineering Inc. Do Not Duplicate or Use Without Permission. ComNav Engineering Inc. claims Copyright in this document as of the Creation, last revision, and last updated dates. All Rights Reserved.							
ENGLISH / METRIC	CHECKED BY						
ENGLISH	DRAWN BY	A	11APR12	KJR	DEV.	GEN. REV. PER 3530	
TOLERANCES UNLESS OTHERWISE SPECIFIED	PBF	II	01DEC10	KJR	DEV.	INI. ISS. PER 3295	
MACHINED SURFACES TO BE 125 OR BETTER	ENGINEER	REV	DATE	BY	DCN No.	REMARKS	
REMOVE ALL BURRS	KJR						
ENGLISH (INCHES)	METRIC (MM)	SCALE	APPLIC: COAXIAL FILTER				
.XX ±.02	.X ±.25	1.5:1	TITLE: 8BCR6CL-1550/C80-LX				
.XXX ±.010	.XX ±.13	DATE	11APR12				
ANGLES ± 0° 30'		FINISH:	BOARD: NI/AU PLATED COPPER		DRAWING No.		SHEET OF
			JACKET: NI/SILVER		OL1160		1 1
			RESONATOR: SILVER				