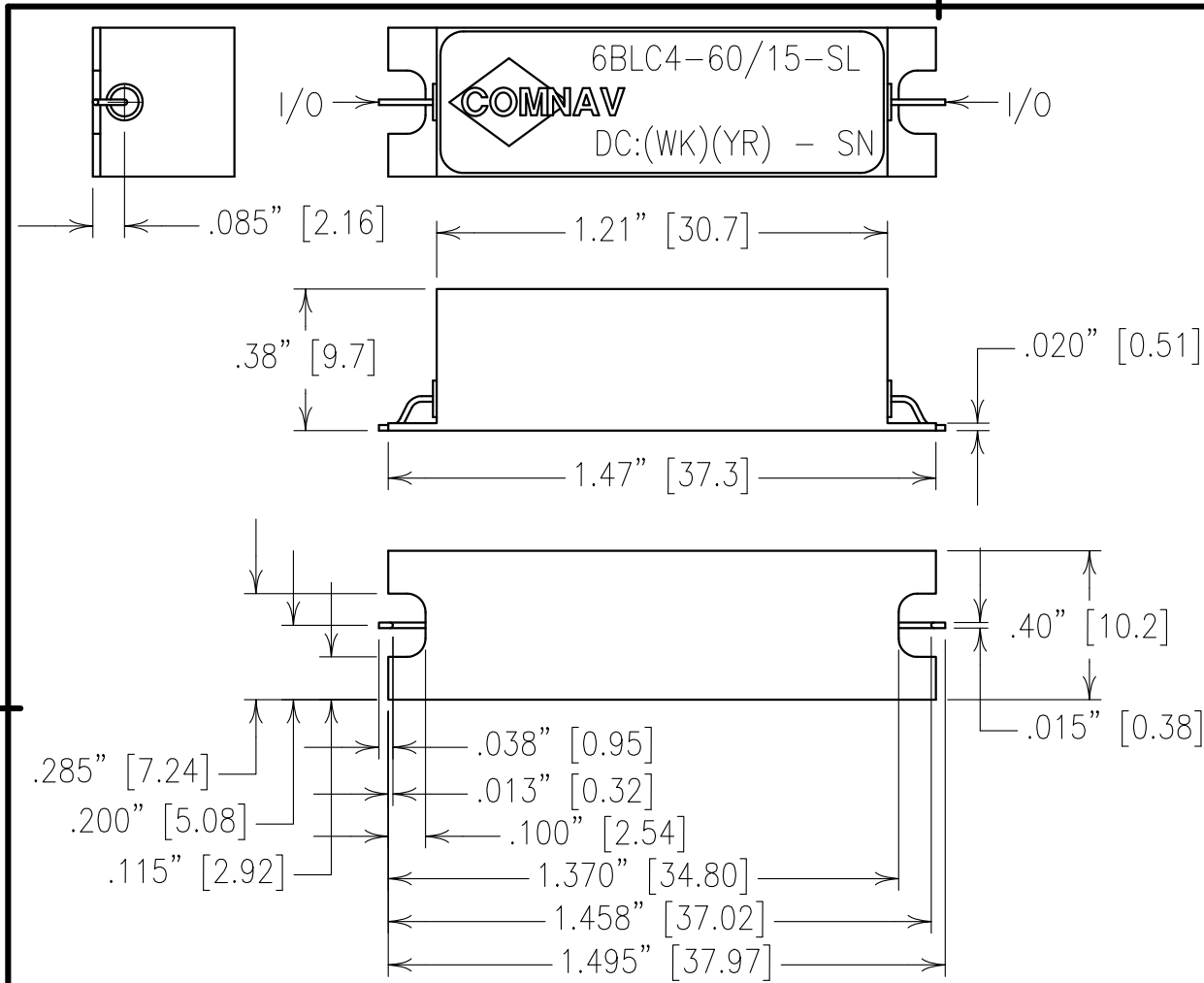


2

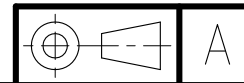
1



ELECTRICAL CHARACTERISTICS

CENTER FREQUENCY: 60 MHz
 AMPLITUDE RIPPLE: 0.5 dB @ FC±3.5 MHz
 INSERTION LOSS: 5 dB @ FC±3.5 MHz
 RETURN LOSS: 18 dB MIN, 20 dB GOAL
 0.6 dB PASSBAND WIDTH: >7 MHz
 3 dB PASSBAND WIDTH: 15 MHz NOM
 REJECTION:
 >65 dBc @ FC-32.5 MHz
 >75 dBc @ FC+32.5 MHz
 PHASE LINEARITY: 8°
 GROUP DELAY: 110 nSEC @ FC±3.5 MHz
 GROUP DELAY MATCHING: 5 nSEC
 OPERATING TEMPERATURE: 0° TO +60°C

COPY



Confidential and Proprietary information of ComNav Engineering Inc. Do Not Duplicate or Use Without Permission. ComNav Engineering Inc. claims Copyright in this document as of the Creation, last revision, and last updated dates. All Rights Reserved.

NOTES:
 LEADS AND TABS ARE SOLDER DIPPED PRIOR TO SHIPMENT FOR SOLDERABILITY.

| | | | | | | | | | |
|--|--|--|--|---------|--|----------------------|---------|----------|---------|
| ENGLISH / METRIC ENGLISH | | CHECKED BY | | | | | | | |
| TOLERANCES UNLESS OTHERWISE SPECIFIED | | DRAWN BY | | | | | | | |
| MACHINED SURFACES TO BE 125 OR BETTER REMOVE ALL BURRS | | ENGINEER | | | | II | 01DEC10 | KJR | DEV. |
| | | KJR | | | | REV | DATE | BY | DCN No. |
| ENGLISH (INCHES) | | METRIC (MM) | | SCALE | | APPLIC: | | | |
| .XX ±.01 | | .X ±.25 | | 2:1 | | CHIP AND WIRE FILTER | | | |
| .XXX ±.005 | | .XX ±.13 | | DATE | | TITLE: | | | |
| ANGLES ± 0° 30' | | | | 11FEB11 | | 6BLC4-60/15-SL | | | |
| | | MATERIAL: COVER: NICKEL/SILVER BASE: ALUMINUM | | | | DRAWING No. | | SHEET OF | |
| | | FINISH: COVER: NONE BASE: NICKEL PLATE | | | | 0L1158 | | 1 1 | |