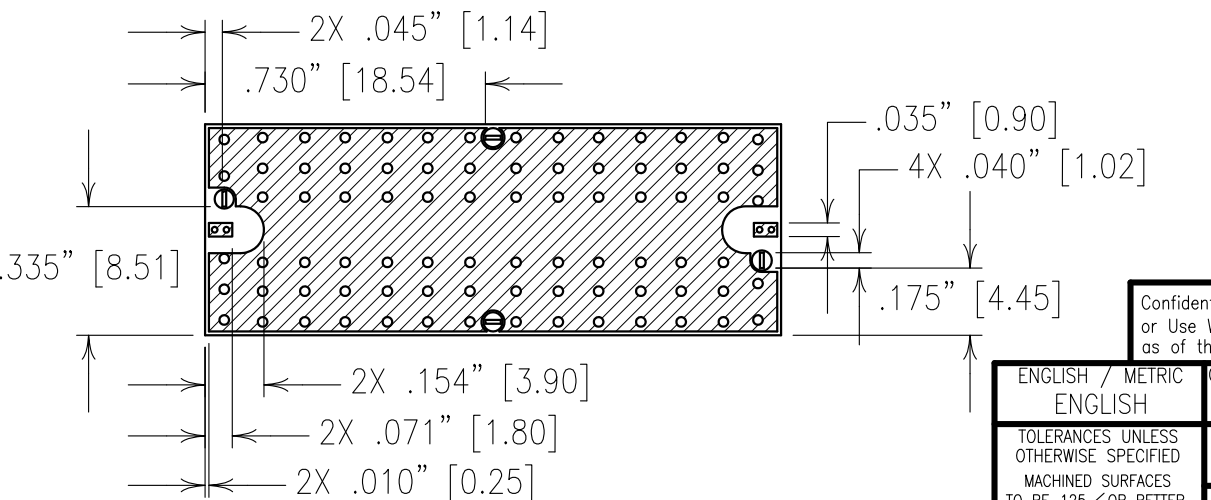
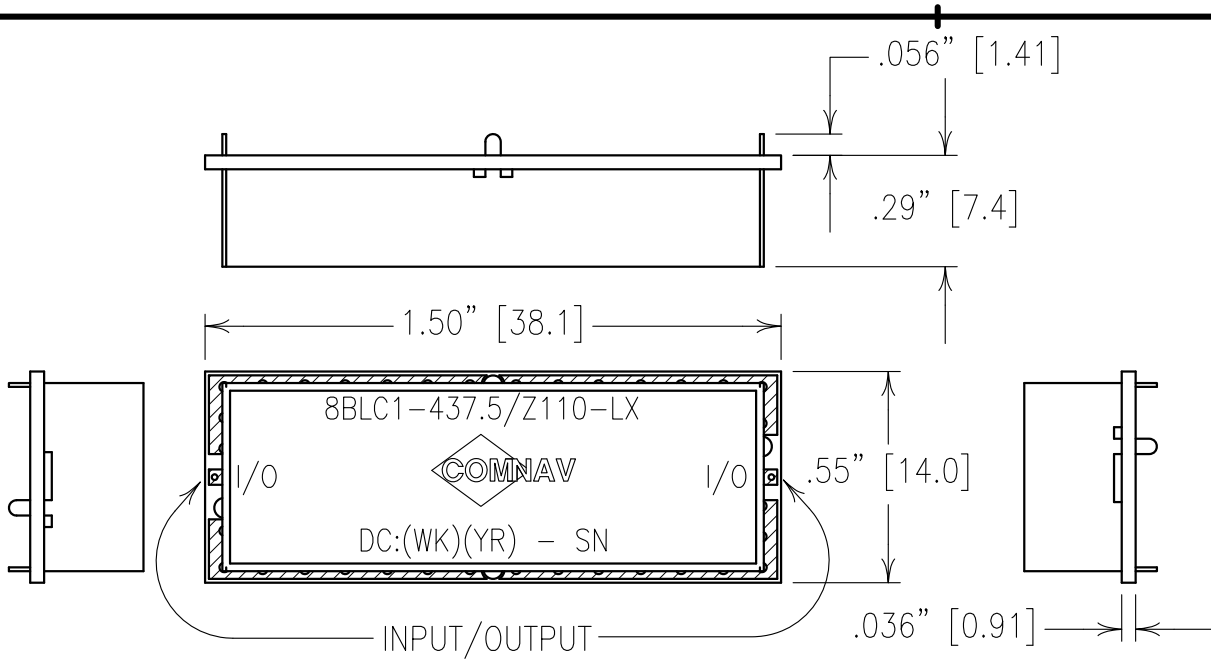


2

1



ELECTRICAL CHARACTERISTICS

CENTER FREQUENCY:	437.5 MHz
BW @ -1.5 dB:	>100 MHz
RETURN LOSS IN/OUT:	>10 dB
INSERTION LOSS:	<3 dB
REJECTION:	
40 dBc MIN @ DC-355 MHz	
35 dBc MIN @ 355-363 MHz	
35 dBc MIN @ 512-520 MHz	
40 dBc MIN @ 520-2000 MHz	
OPERATING TEMP.:	-40° TO +85° C

NOTES:

RECOMMENDED ATTACHMENT METHOD:
SILVER EPOXY OR REFLOW NOT TO EXCEED
AS INDICATED BELOW:

TEMP.(°C)	MAX.TIME(SEC)
215	90
230	60
245	30
260	15

FILTER IS ROHS COMPLIANT.

Confidential and Proprietary information of ComNav Engineering Inc. Do Not Duplicate or Use Without Permission. ComNav Engineering Inc. claims Copyright in this document as of the Creation, last revision, and last updated dates. All Rights Reserved.

COPY

ENGLISH / METRIC ENGLISH	CHECKED BY				
TOLERANCES UNLESS OTHERWISE SPECIFIED MACHINED SURFACES TO BE 125 / OR BETTER REMOVE ALL BURRS	DRAWN BY PBF				
ENGLISH (INCHES) .XX ±.02 .XXX ±.01	ENGINEER KJR	II	30NOV10	KJR	DEV. INI. ISS. PER 3293
METRIC (MM) .X ±.25 .XX ±.13	REV	DATE	BY	DCN No.	REMARKS
ANGLES ± 0° 30'	SCALE 2:1	APPLIC: CHIP AND WIRE FILTER			
	DATE 03DEC10	TITLE: 8BLC1-437.5/Z110-LX			
	FINISH: BOARD: NI/GOLD JACKET: NI/SILVER	DRAWING No. OL1157		SHEET/OF 1 / 1	