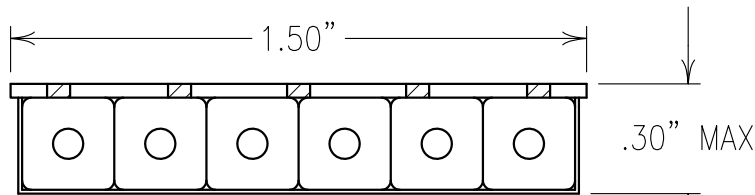


2

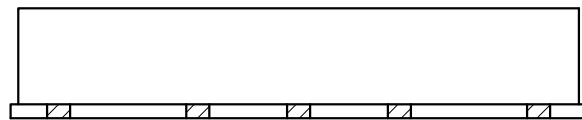
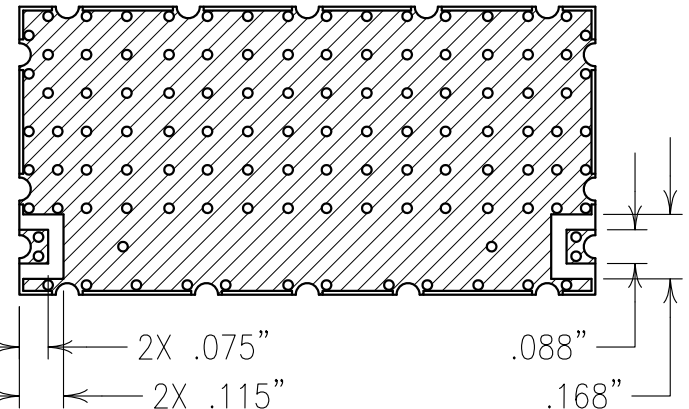
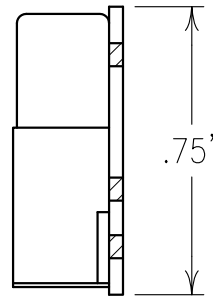
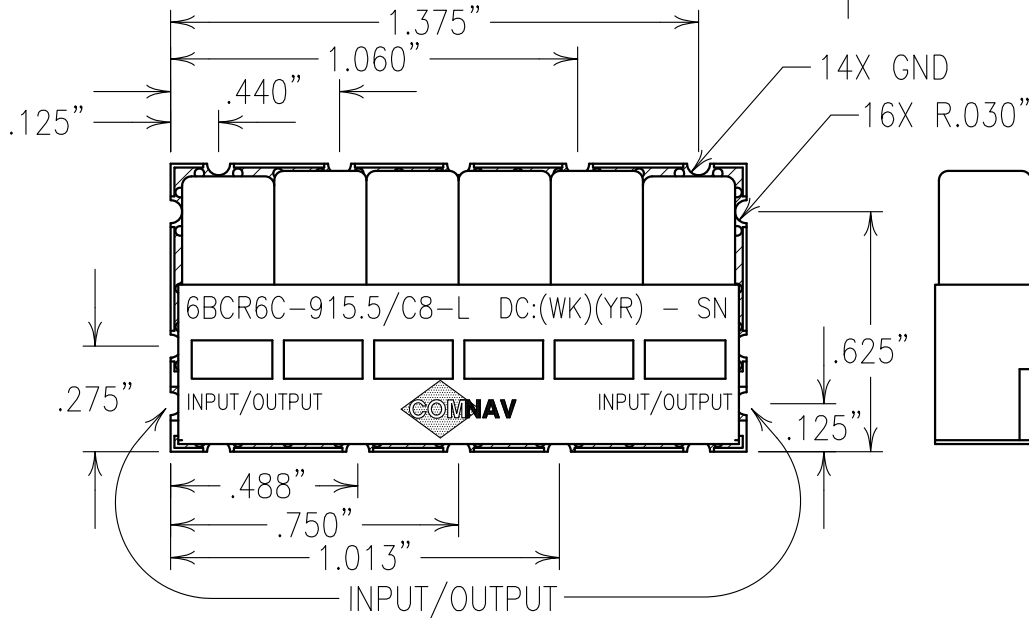
1



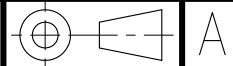
COPY

ELECTRICAL CHARACTERISTICS

CENTER FREQUENCY: 915.75 MHz
 PASSBAND: 913.75-917.75 MHz
 PASSBAND FLATNESS: 1.5 dB MAX
 P.B. INSERTION LOSS: 9 dB MAX
 PASSBAND VSWR: 1.5:1 MAX
 REJECTION:
 25 dBc MIN @ 909.75 MHz
 25 dBc MIN @ 921.75 MHz
 OPERATING TEMP.: -40° TO +85° C



Confidential and Proprietary information of ComNav Engineering Inc. Do Not Duplicate or Use Without Permission. ComNav Engineering Inc. claims Copyright in this document as of the Creation, last revision, and last updated dates. All Rights Reserved.



ENGLISH / METRIC ENGLISH	CHECKED BY				
TOLERANCES UNLESS OTHERWISE SPECIFIED MACHINED SURFACES TO BE 125/ OR BETTER REMOVE ALL BURRS	DRAWN BY PBF	A	10JAN11	KJR	DEV.
ENGLISH (INCHES) .XX ±.02 .XXX ±.01	ENGINEER KJR	II	09NOV10	KJR	DEV.
METRIC (MM) .X ±.25 .XX ±.13	REV	DATE	BY	DCN No.	REMARKS
ANGLES ± 0° 30'	SCALE 2:1	APPLIC: CERAMIC COAXIAL FILTER			
	DATE 13JAN11	TITLE: 6BCR6C-915.5/C8-L			

NOTES:

COMNAV PART NUMBER AND DATE CODE ARE ETCHED ON THE JACKET.

RECOMMENDED ATTACHMENT METHOD: SILVER EPOXY OR REFLOW NOT TO EXCEED AS INDICATED BELOW:

TEMP.(°C) MAX.TIME(SEC)

215	90
230	60
245	30
260	15

FILTER IS ROHS COMPLIANT.



FINISH: BOARD: NI/GOLD
 JACKET: NI/SILVER
 RESONATOR: SILVER

DRAWING No.

0L1155

SHEET/OF
1/1