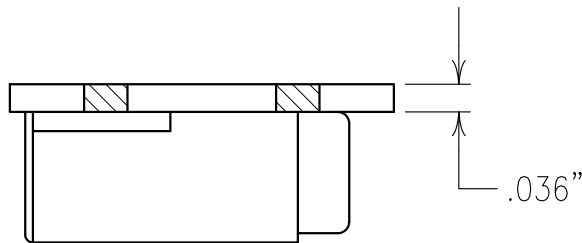


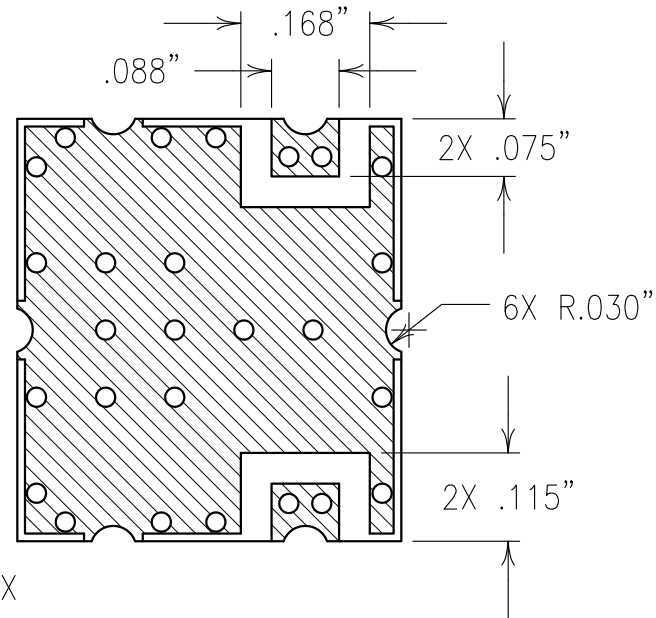
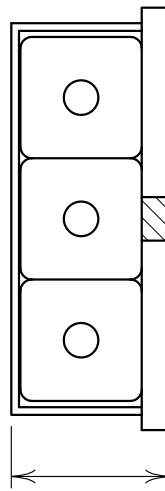
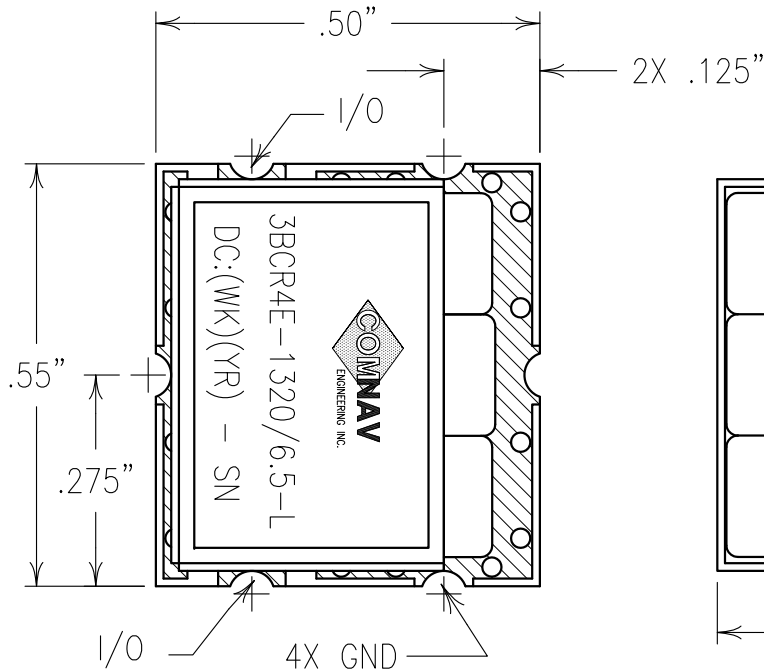
2

1

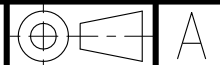


**COPY**

ELECTRICAL CHARACTERISTICS	
CENTER FREQUENCY:	1320 MHz NOM
3.0 dB BANDWIDTH:	6.5 MHz NOM
INSERTION LOSS:	9.0 dB MAX @ Fo
RETURN LOSS:	1.7:1 TYPICAL
ATTENUATION:	
1310 MHz:	20 dBc MIN
1330 MHz:	20 dBc MIN
OPERATING TEMP.:	-40 TO +85°C



Confidential and Proprietary information of ComNav Engineering Inc. Do Not Duplicate or Use Without Permission. ComNav Engineering Inc. claims Copyright in this document as of the Creation, last revision, and last updated dates. All Rights Reserved.



NOTES:

FOR RECOMMENDED FOOTPRINT SEE FP0009.

RECOMMENDED ATTACHMENT METHOD: SILVER EPOXY OR REFLOW NOT TO EXCEED AS INDICATED BELOW:

TEMP.(°C)MAX.TIME(SEC)

215	90
230	60
245	30
260	15

FILTER IS ROHS COMPLIANT.  
FILTER MAY BE LABELED OR ETCHED.

ENGLISH / METRIC ENGLISH	CHECKED BY				
TOLERANCES UNLESS OTHERWISE SPECIFIED	DRAWN BY	II	09NOV10	KJR	DEV.
MACHINED SURFACES TO BE 125/10 OR BETTER	ENGINEER	REV	DATE	BY	DCN No.
REMOVE ALL BURRS	KJR				REMARKS
ENGLISH (INCHES) .XX ±.02 .XXX ±.010	METRIC (MM) .X ±.5 .XX ±.25	SCALE 4:1	APPLIC: CERAMIC COAXIAL FILTER		
ANGLES ± 0° 30'	DATE 09NOV10	TITLE: 3BCR4E-1320/6.5-L			
	FINISH: BOARD: NI/AU JACKET: NI/SILVER RESONATOR: SILVER	DRAWING No. OL1154		SHEET OF 1 1	