

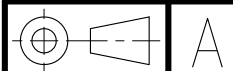
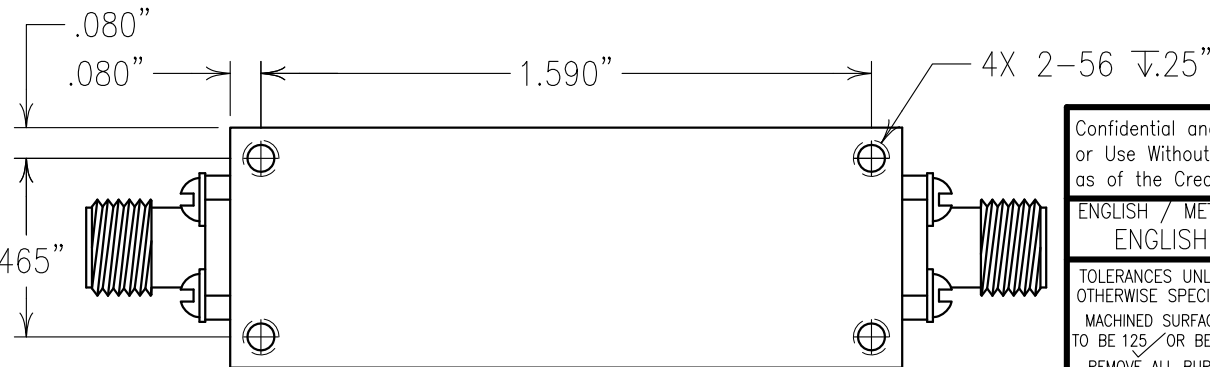
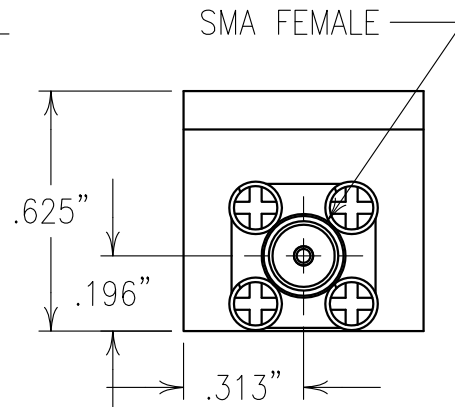
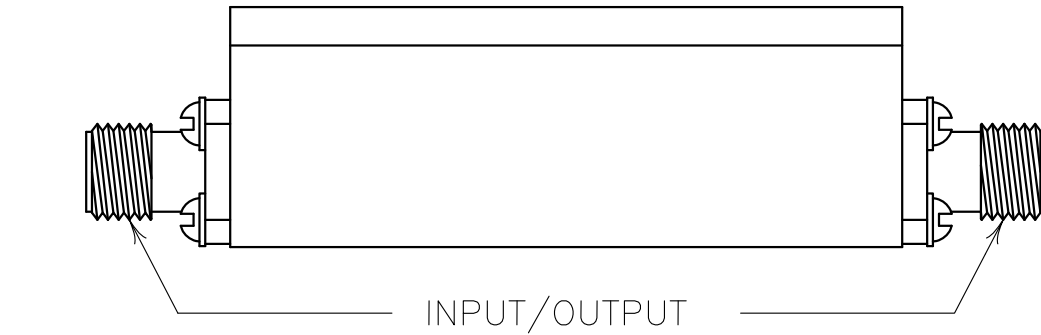
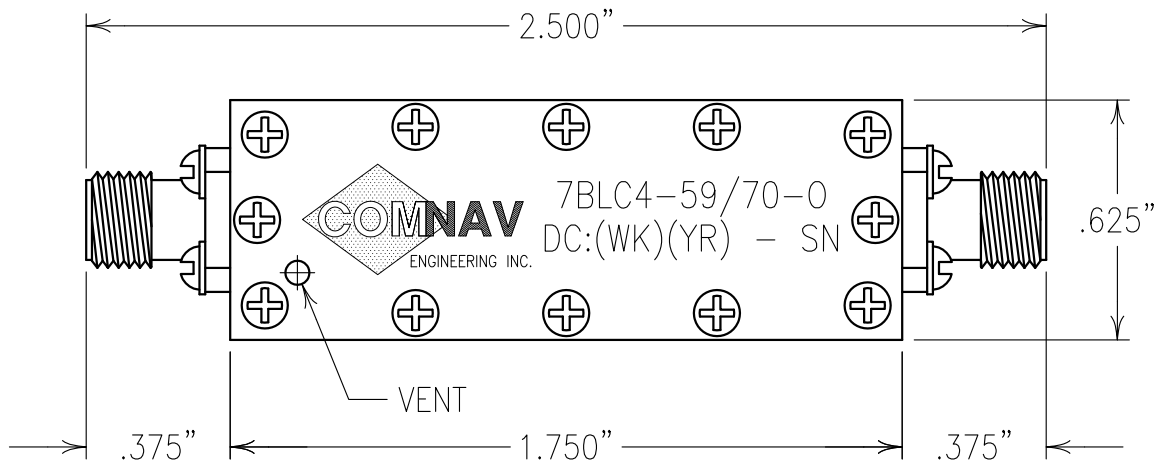
2

1

ELECTRICAL CHARACTERISTICS

CENTER FREQUENCY:	59 MHz NOM
PASSBAND:	30-88 MHz
PASSBAND INSERTION LOSS:	0.65 dB MAX
PASSBAND RIPPLE:	0.5 dB MAX
PASSBAND VSWR:	14 dB MIN IN/OUT
REJECTION:	
	25 dBc MIN @ 10 MHz
	25 dBc MIN @ 100 MHz

B



Confidential and Proprietary information of ComNav Engineering Inc. Do Not Duplicate or Use Without Permission. ComNav Engineering Inc. claims Copyright in this document as of the Creation, last revision, and last updated dates. All Rights Reserved.

ENGLISH / METRIC CHECKED BY					
ENGLISH					
TOLERANCES UNLESS OTHERWISE SPECIFIED MACHINED SURFACES TO BE 125 / OR BETTER REMOVE ALL BURRS	DRAWN BY	A	03DEC10	KJR	DEV. GEN. REV. PER 3298
	ENGINEER	II	03NOV10	KJR	DEV. INI. ISS. PER 3277
	KJR	REV	DATE	BY	DCN No. REMARKS

A

NOTES:

COPY

ENGLISH (INCHES)	METRIC (MM)	SCALE	APPLIC:	
.XX ±.02	.X ±.2	2:1	CHIP AND WIRE FILTER	
.XXX ±.01	.XX ±.13	DATE	TITLE:	SHEET OF
ANGLES ± 0° 30'	06DEC10	7BLC4-59/70-0	1	1
COMNAV ENGINEERING INC.		MATERIAL: ALUMINUM	DRAWING No.	
		FINISH: SILVER	0L1153	