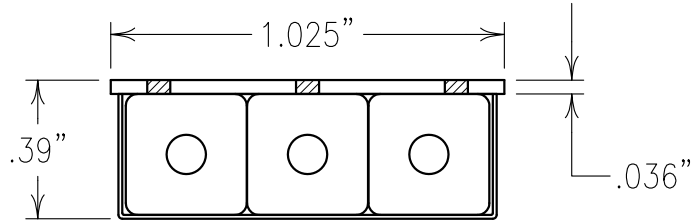


2

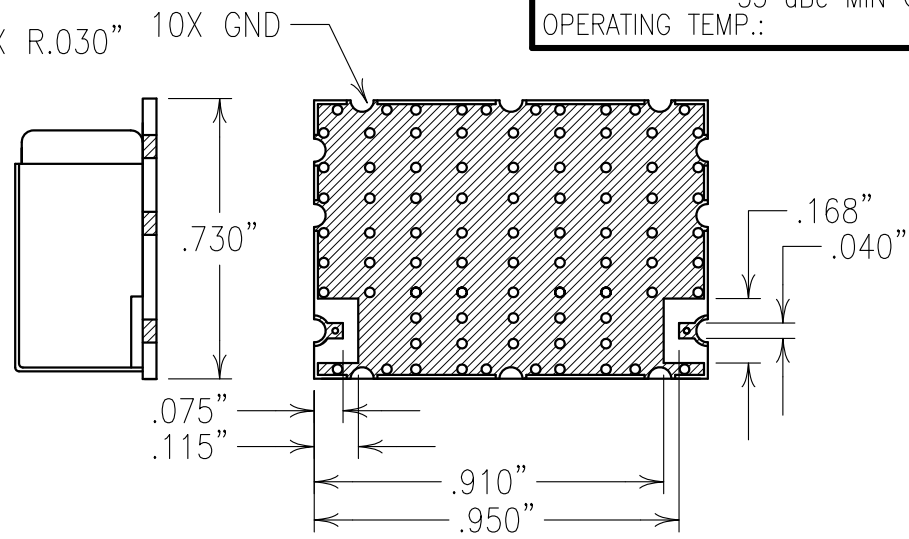
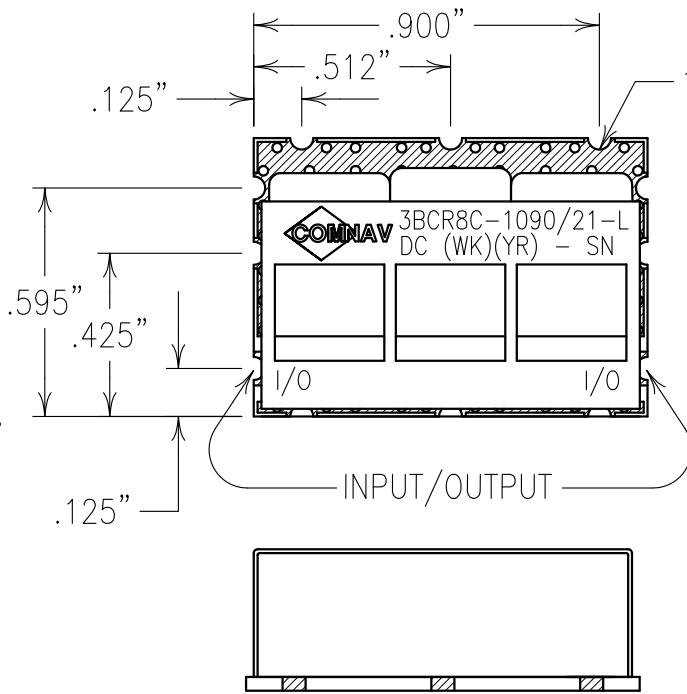
1



COPY

ELECTRICAL CHARACTERISTICS

CENTER FREQUENCY:	1090 MHz nom
PASSBAND:	1087-1093 MHz
PASSBAND LOSS @ 25C:	1.75 dB MAX
PASSBAND LOSS OVER TEMP:	2.25 dB MAX.
PASSBAND FLATNESS:	0.5 dB MAX.
PASSBAND RETURN LOSS:	14.0 dB
PB GROUP DELAY VARIATION:	2.0nS PEAK to PEAK
MAX. ATTENUATION @ FO +/- 10MHz:	5 dBc
REJECTION:	35 dBc MIN @ 500- 1051 MHz
	35 dBc MIN @ 1129 -1700 MHz
OPERATING TEMP.:	-40° +85 °C



NOTES:

NO TIN PLATING UNDER SOLDER MASK.

RECOMMENDED ATTACHMENT METHOD: SILVER EPOXY
OR REFLOW NOT TO EXCEED AS INDICATED BELOW:

TEMP.(°C)	MAX.TIME(SEC)
215	90
230	60
245	30
260	15

FILTER IS ROHS COMPLIANT.
FILTER MAY BE ETCHED OR LABELED.

Confidential and Proprietary information of ComNav Engineering Inc. Do Not Duplicate or Use Without Permission. ComNav Engineering Inc. claims Copyright in this document as of the Creation, last revision, and last updated dates. All Rights Reserved.						A	
ENGLISH / METRIC CHECKED BY							
ENGLISH							
TOLERANCES UNLESS OTHERWISE SPECIFIED		DRAWN BY					
MACHINED SURFACES TO BE 125 / OR BETTER REMOVE ALL BURRS		EEF					
		ENGINEER		II 21OCT10 KJR DEV.		INI. ISS. PER 3273	
		KJR		REV		DATE BY DCN No. REMARKS	
ENGLISH (INCHES)		METRIC (MM)		SCALE		APPLIC:	
.XX ±.02 .XXX ±.010		.X ±.25 .XX ±.13		2:1		CERAMIC FILTER	
ANGLES ± 0° 30'		DATE		TITLE:			
		01NOV10		3BCR8C-1090/21-L			
		FINISH:		DRAWING No.		SHEET OF	
		BOARD: NI/AU PLATED COPPER JACKET: NI/SILVER RESONATOR: SILVER		OL1149		1 1	