

2

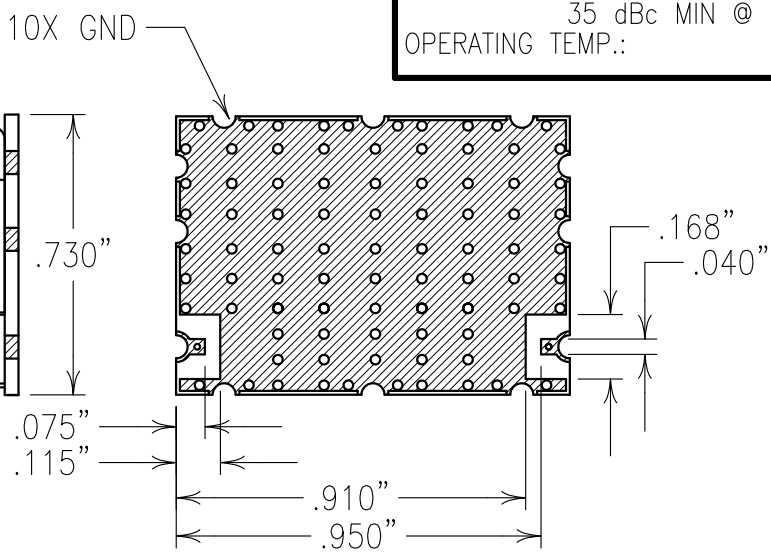
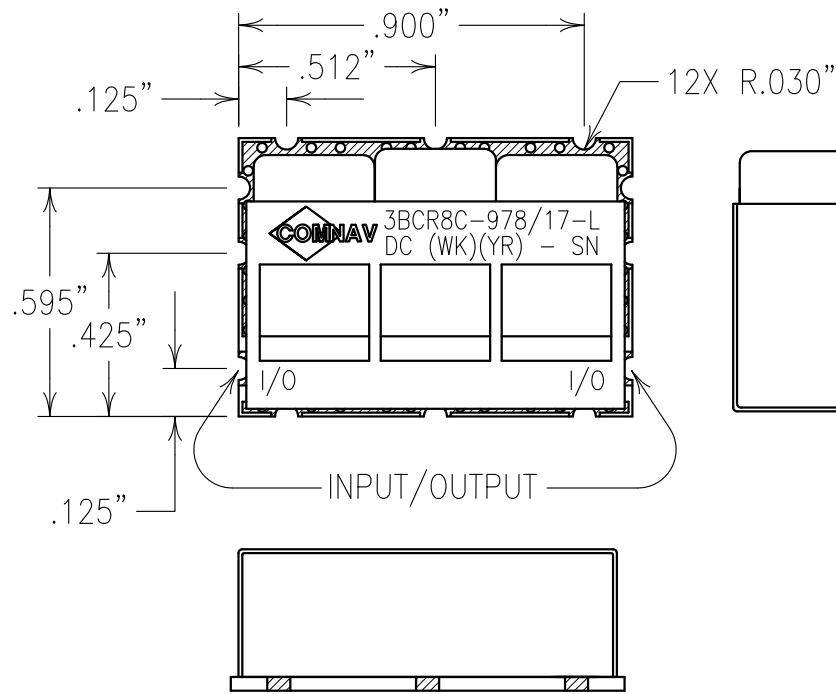
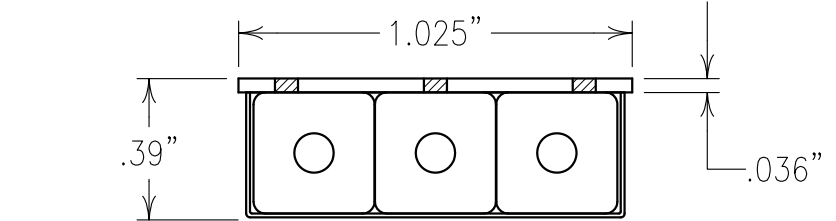
1

**COPY**

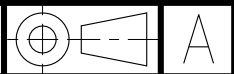
ELECTRICAL CHARACTERISTICS

CENTER FREQUENCY:	978 MHz nom
PASSBAND:	977.6-978.4 MHz
PASSBAND LOSS @ 25C:	1.75 dB MAX
PASSBAND LOSS OVER TEMP:	2.25 dB MAX.
PASSBAND FLATNESS:	0.5 dB MAX.
PASSBAND RETURN LOSS:	14.0 dB
PB GROUP DELAY VARIATION:	2.0nS PEAK to PEAK
REJECTION:	5 dBc @ F0 +/- 10 MHz
	35 dBc MIN @ 500- 935 MHz
	35 dBc MIN @ 1021-1700 MHz
OPERATING TEMP.:	-40° +85 °C

B



Confidential and Proprietary information of ComNav Engineering Inc. Do Not Duplicate or Use Without Permission. ComNav Engineering Inc. claims Copyright in this document as of the Creation, last revision, and last updated dates. All Rights Reserved.



NOTES:

NO TIN PLATING UNDER SOLDER MASK.

RECOMMENDED ATTACHMENT METHOD: SILVER EPOXY  
OR REFLOW NOT TO EXCEED AS INDICATED BELOW:

TEMP.(°C)	MAX.TIME(SEC)
215	90
230	60
245	30
260	15

FILTER IS ROHS COMPLIANT.  
FILTER MAY BE ETCHED OR LABELED.

ENGLISH / METRIC	CHECKED BY				
ENGLISH	EEF				
TOLERANCES UNLESS OTHERWISE SPECIFIED	DRAWN BY	II	21OCT10	KJR	DEV.
MACHINED SURFACES TO BE 125 / OR BETTER REMOVE ALL BURRS	ENGINEER				INI. ISS. PER 3273
	KJR	REV	DATE	BY	DCN No.
ENGLISH (INCHES)	METRIC (MM)	SCALE	APPLIC: CERAMIC FILTER		
.XX ±.02	.X ±.25	2:1	TITLE: 3BCR8C-978/17-L		
.XXX ±.010	.XX ±.13	DATE	DRAWING No. OL1147		
ANGLES ± 0° 30'	01NOV10	FINISH: BOARD: NI/AU PLATED COPPER JACKET: NI/SILVER RESONATOR: SILVER		SHEET OF 1 1	

A