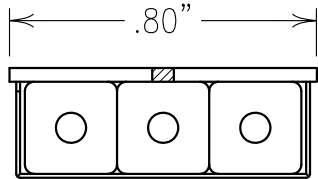


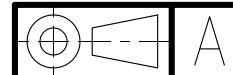
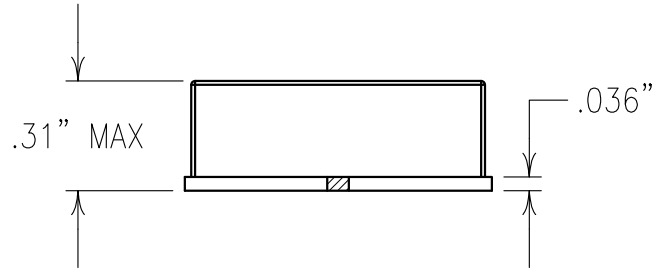
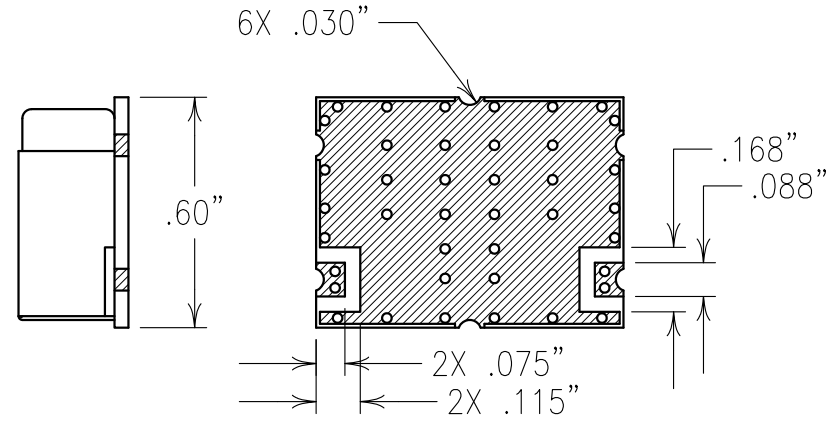
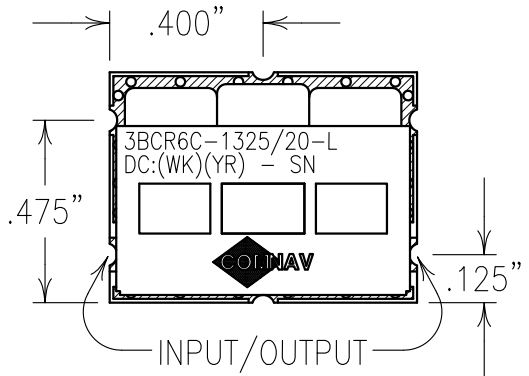
2

1



COPY

ELECTRICAL CHARACTERISTICS	
CENTER FREQUENCY:	1325 MHz NOM
3 dB BANDWIDTH:	20 MHz NOM
LOSS:	2.0 dB
RETURN LOSS:	12 dB MIN
REJECTIONS:	
DC-1250 MHz:	50 dBc
1400-2500 MHz:	50 dBc



Confidential and Proprietary information of ComNav Engineering Inc. Do Not Duplicate or Use Without Permission. ComNav Engineering Inc. claims Copyright in this document as of the Creation, last revision, and last updated dates. All Rights Reserved.

NOTES:
RECOMMENDED ATTACHMENT METHOD:
SILVER EPOXY OR REFLOW NOT TO EXCEED AS INDICATED BELOW:

TEMP.(°C)	MAX.TIME(SEC)
215	90
230	60
245	30
260	15

FILTER IS ROHS COMPLIANT.
FILTER MAY BE LABELED OR ETCHED.

ENGLISH / METRIC	CHECKED BY				
ENGLISH					
TOLERANCES UNLESS OTHERWISE SPECIFIED MACHINED SURFACES TO BE 125 / OR BETTER REMOVE ALL BURRS	DRAWN BY PBF	II	18OCT10	KJR	DEV. INI. ISS. PER 3272
	ENGINEER KJR	REV	DATE	BY	DCN No. REMARKS

ENGLISH (INCHES)	METRIC (MM)	SCALE 2:1	APPLIC: CERAMIC COAXIAL FILTER
.XX ±.02 .XXX ±.010	.X ±.50 .XX ±.25	DATE 23OCT10	TITLE: 3BCR6C-1325/20-L
ANGLES ± 0° 30'		FINISH: BOARD: NICKEL/GOLD JACKET: NICKEL/SILVER	DRAWING No. OL1146



SHEET OF 1 1