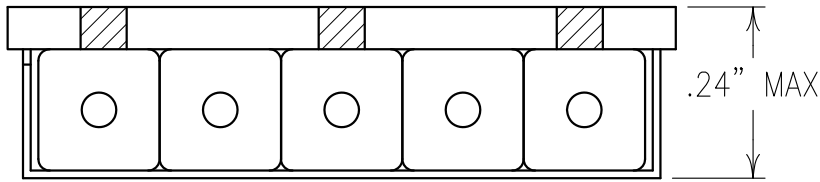


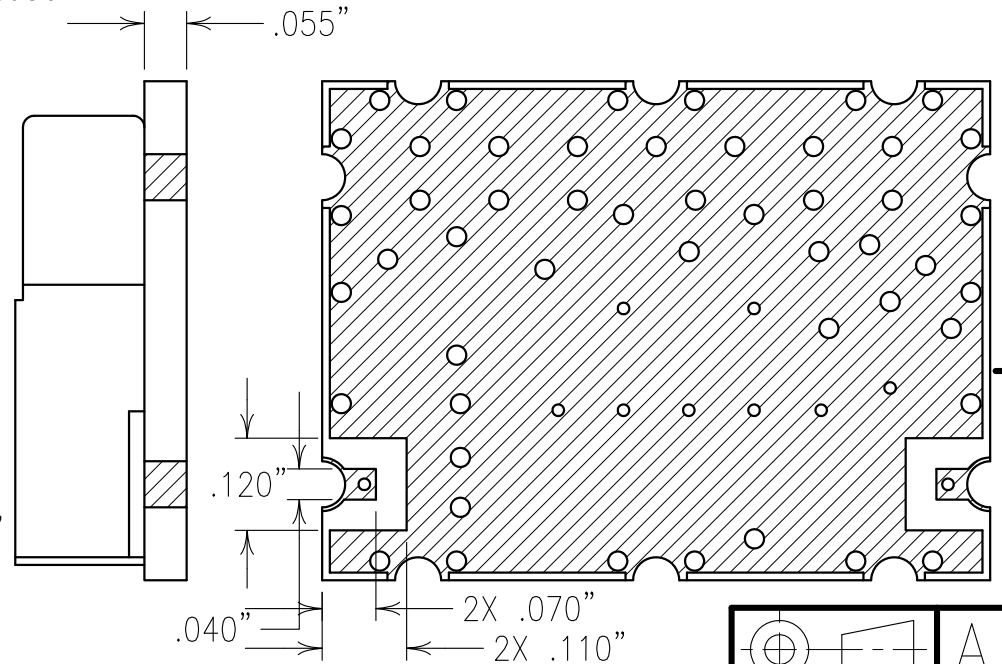
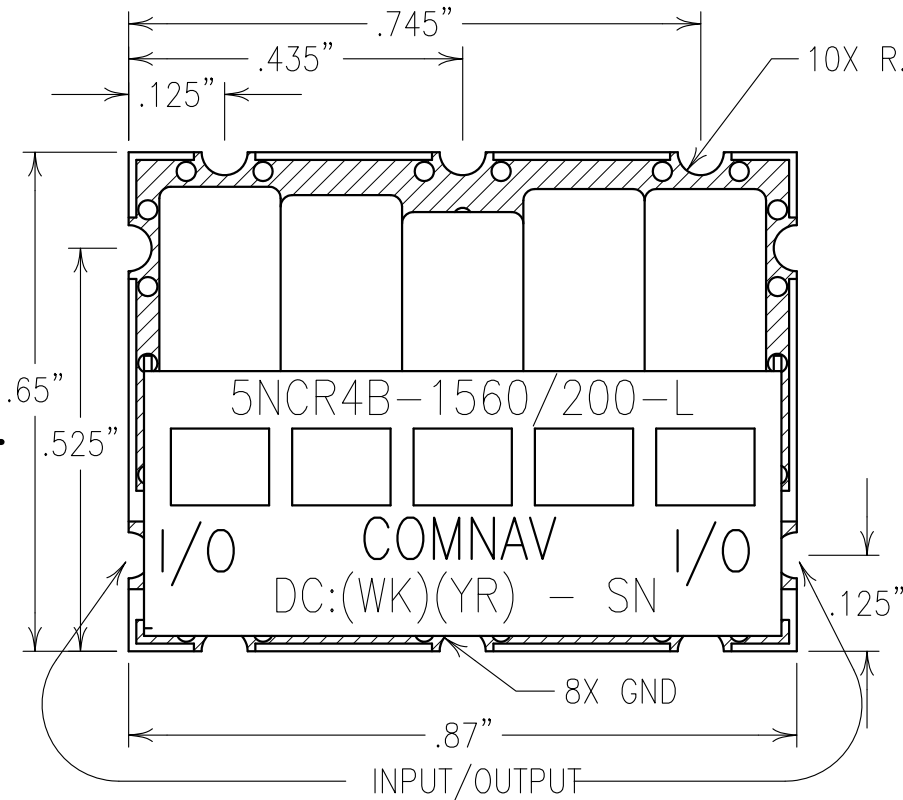
2

1



**COPY**

ELECTRICAL CHARACTERISTICS	
PASSBAND:	800–1320 MHz; 1700–2170 MHz
INSERTION LOSS:	<2.0 dB
PASSBAND FLATNESS:	<0.5 dB
VSWR:	1.5:1 TYP
REJECTION:	30 dBc MIN @ 1510–1610 MHz



Confidential and Proprietary information of ComNav Engineering Inc. Do Not Duplicate or Use Without Permission. ComNav Engineering Inc. claims Copyright in this document as of the Creation, last revision, and last updated dates. All Rights Reserved.

NOTES:	TEMP.(°C)	MAX. TIME (SECONDS)
RECOMMENDED ATTACHMENT METHOD:		
SILVER EPOXY OR REFLOW NOT TO EXCEED:	215	90
	230	60
FILTER IS ROHS COMPLIANT.	245	30
FILTER MAY BE LABELED OR ETCHED.	260	15

ENGLISH / METRIC ENGLISH	CHECKED BY				
TOLERANCES UNLESS OTHERWISE SPECIFIED MACHINED SURFACES TO BE 125/ OR BETTER REMOVE ALL BURRS	DRAWN BY PBF				
	ENGINEER KJR	II	03SEP10	KJR	DEV. INI. ISS. PER 3254
		REV	DATE	BY	DCN No. REMARKS
ENGLISH (INCHES) .XX ±.02 .XXX ±.01	METRIC (MM) .X ±.25 .XX ±.13	SCALE 4:1	APPLIC: CERAMIC COAXIAL FILTER		
ANGLES ± 0° 30'	DATE 08SEP10	TITLE: 5NCR4B-1560/200-L			
	FINISH: BOARD: NI/AU JACKET: NI/SILVER RESONATOR: SILVER	DRAWING No. OL1135		SHEET/OF 1/1	