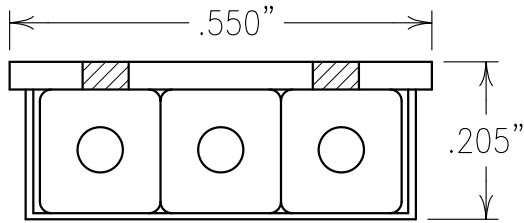


2

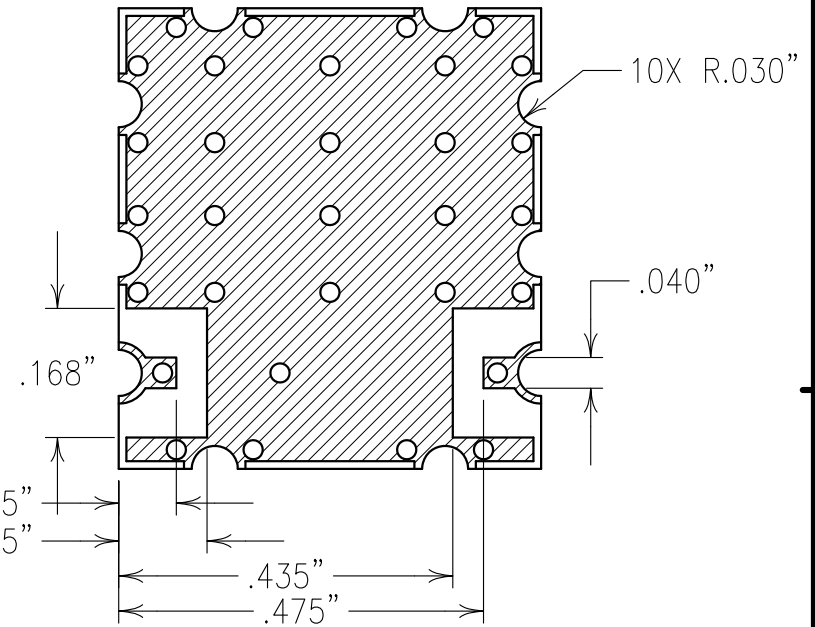
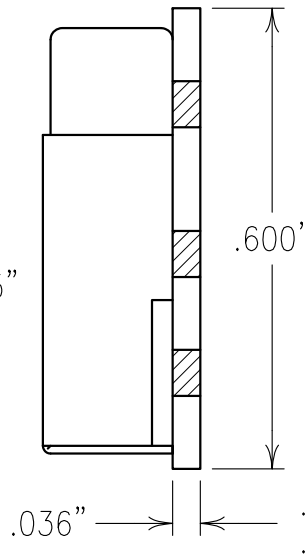
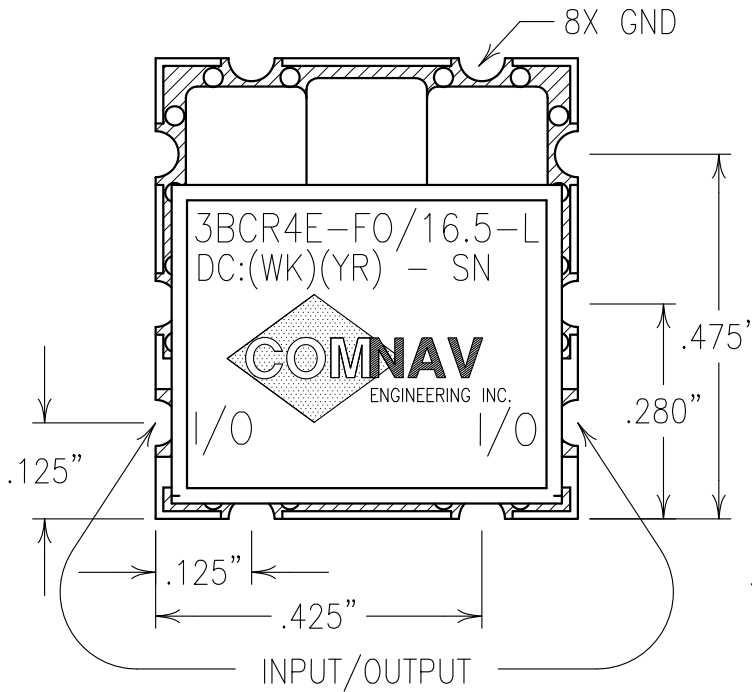
1



COPY

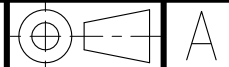
ELECTRICAL CHARACTERISTICS

CENTER FREQUENCY (FO): 920,960,1000,1040 MHz
 INSERTION LOSS: 2.75 dB MAX @ FO
 1 dB BANDWIDTH: 15 MHz MIN
 RETURN LOSS: 1.7:1 TYPICAL
 REJECTION: 30 dBc MIN @ FO±40 MHz
 45 dBc MIN @ FO±80 MHz
 60 dBc MIN @ FO±160 MHz



B

Confidential and Proprietary information of ComNav Engineering Inc. Do Not Duplicate or Use Without Permission. ComNav Engineering Inc. claims Copyright in this document as of the Creation, last revision, and last updated dates. All Rights Reserved.



NOTES:

RECOMMENDED FOOTPRINT: FP0128.

RECOMMENDED ATTACHMENT METHOD: SILVER EPOXY OR REFLOW NOT TO EXCEED AS INDICATED BELOW:

TEMP.(°C) MAX. TIME(SEC)

215	90
230	60
245	30
260	15

FILTER WILL BE LABELED (NOTE ABOVE)
 FILTER IS ROHS COMPLIANT.

A

ENGLISH / METRIC ENGLISH	CHECKED BY				
TOLERANCES UNLESS OTHERWISE SPECIFIED	DRAWN BY				
MACHINED SURFACES TO BE 125 OR BETTER	PBF	II	05AUG10	EJG	DEV.
REMOVE ALL BURRS	ENGINEER	REV	DATE	BY	DCN No.
	MJG				REMARKS
ENGLISH (INCHES)	METRIC (MM)	SCALE	APPLIC: CERAMIC COAXIAL FILTER		
.XX ±.02	.X ±.25	4:1	TITLE: 3BCR4E-F0/16.5-L		
.XXX ±.010	.XX ±.13	DATE	DRAWING No.		
ANGLES ± 0° 30'		06AUG10	SHEET OF 1 1		
COMNAV ENGINEERING INC.		FINISH: BOARD: NI/GOLD JACKET: NI/SILVER RESONATOR: SILVER		OL1129	