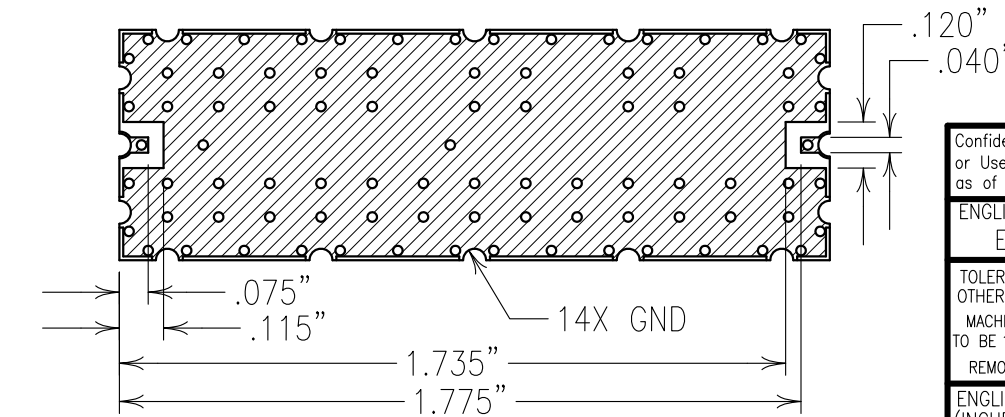
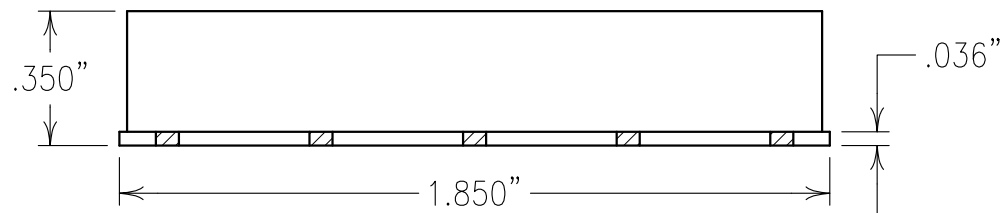
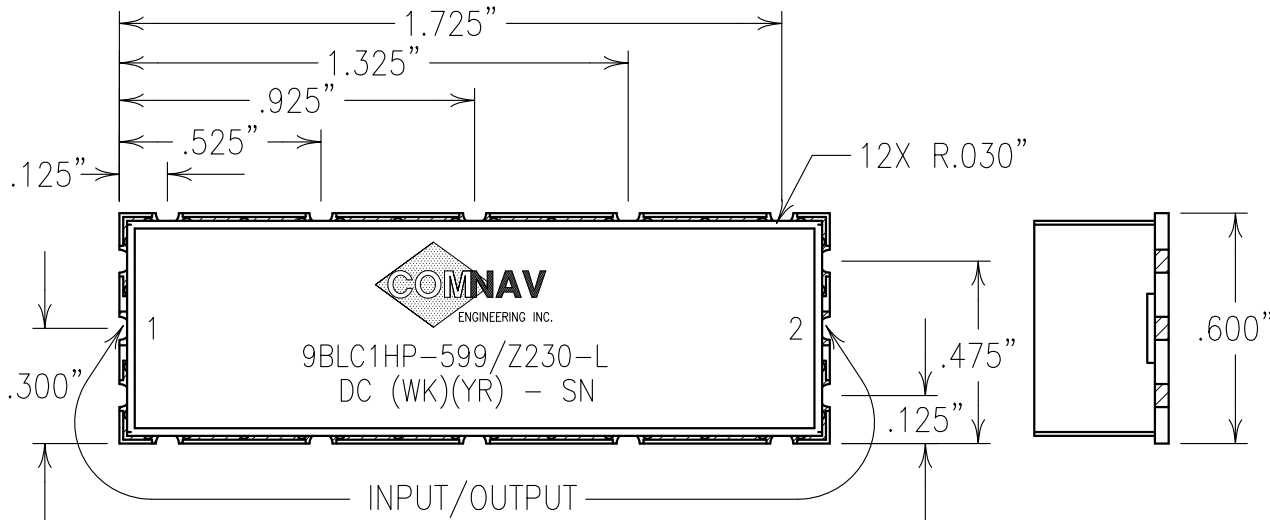


2

1



ELECTRICAL CHARACTERISTICS

CENTER FREQUENCY:	599 MHz
PASSBAND:	500-698 MHz
PASSBAND INSERTION LOSS:	1.0 dB MAX
PASSBAND FLATNESS:	1.0 dB MAX/ 0.9 dB GOAL
PASSBAND RETURN LOSS:	14 dB MIN
ATTENUATION:	
DC-350 MHz:	50 dBc MIN
420 MHz:	40 dBc MIN
450 MHz:	15 dBc MIN
1000-2700 MHz:	50 dBc MIN
2700-3000 MHz:	40 dBc MIN
OPERATING TEMP.:	-40 TO +85°C
MAX. POWER HANDLING:	40 WATTS IN PASSBAND INTO 10:1 MISMATCH

NOTES:

NO TIN PLATING UNDER SOLDER MASK.
RECOMMENDED ATTACHMENT METHOD:
SILVER EPOXY OR REFLOW NOT TO
EXCEED AS INDICATED BELOW:

TEMP.(°C)	MAX.TIME(SEC)
215	90
230	60
245	30
260	15

FILTER IS ROHS COMPLIANT.

COPY

Confidential and Proprietary information of ComNav Engineering Inc. Do Not Duplicate or Use Without Permission. ComNav Engineering Inc. claims Copyright in this document as of the Creation, last revision, and last updated dates. All Rights Reserved.

ENGLISH / METRIC ENGLISH	CHECKED BY B	03NOV10	KJR	DEV.	GEN. REV. PER 3278
TOLERANCES UNLESS OTHERWISE SPECIFIED	DRAWN BY A	06OCT10	MJG	DEV.	GEN. REV. PER 3269
MACHINED SURFACES TO BE 125 / OR BETTER	ENGINEER II	04AUG10	MJG	DEV.	INT. ISS. PER 3239
REMOVE ALL BURRS	KJR	REV	DATE	BY	DCN No.
ENGLISH (INCHES)	METRIC (MM)	SCALE 2:1	APPLIC: LC FILTER		
.XX ±.02	.X ±.25	DATE 03NOV10	TITLE: 9BLC1HP-599/Z230-L		
.XXX ±.010	.XX ±.13				
ANGLES ± 0° 30'					
COMNAV ENGINEERING INC.	FINISH: BOARD: NI/AU PLATED COPPER JACKET: NI/SILVER RESONATOR: SILVER		DRAWING No. OL1128		SHEET OF 1 1