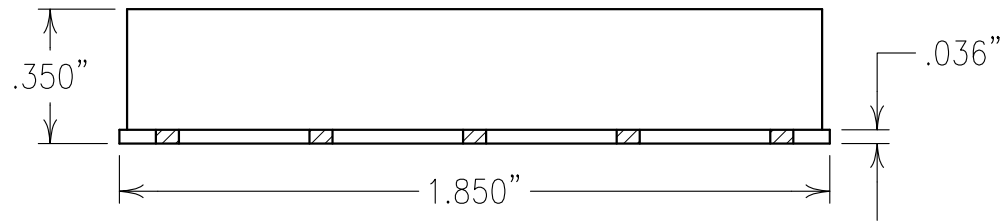
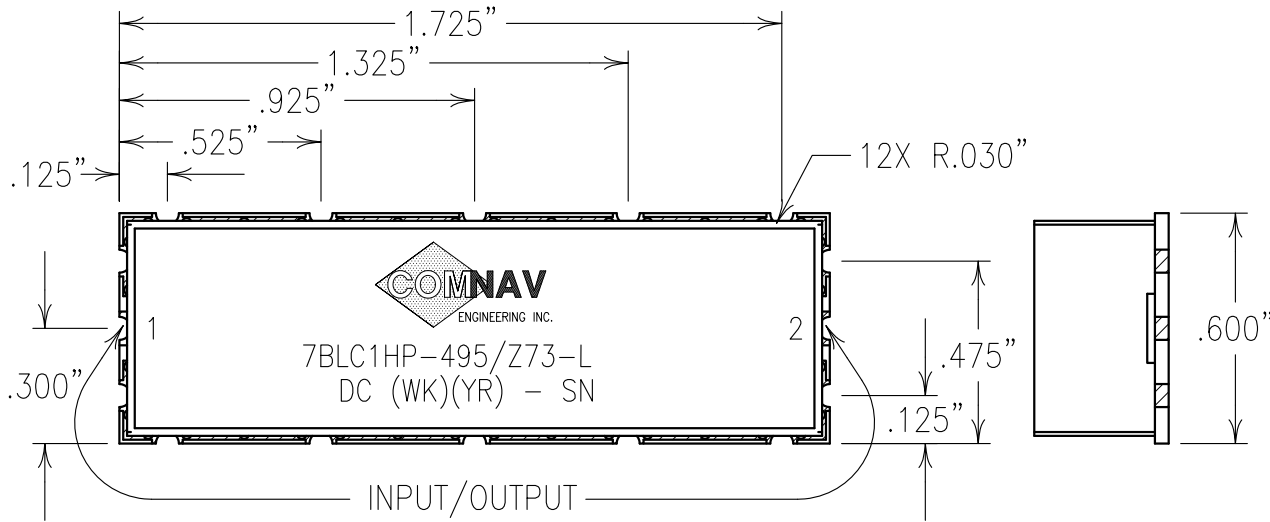
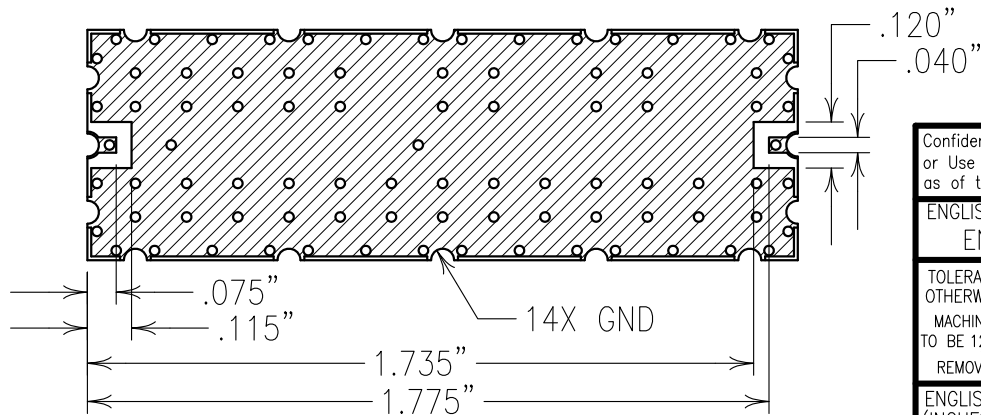


2

1



**COPY**



ELECTRICAL CHARACTERISTICS

CENTER FREQUENCY:	495 MHz
PASSBAND:	470-520 MHz
PASSBAND INSERTION LOSS:	1.80 dB MAX
PASSBAND FLATNESS:	0.7 dB MAX
PASSBAND RETURN LOSS:	14 dB MIN
ATTENUATION:	
DC-260 MHz:	50 dBc MIN
420-450 MHz:	25 dBc MIN
940-3100 MHz:	70 dBc MIN
OPERATING TEMP.:	-40 TO +85°C
MAX. POWER HANDLING:	40 WATTS IN PASSBAND INTO 10:1 MISMATCH

NOTES:

NO TIN PLATING UNDER SOLDER MASK.  
RECOMMENDED ATTACHMENT METHOD:  
SILVER EPOXY OR REFLOW NOT TO  
EXCEED AS INDICATED BELOW:

TEMP.(°C)	MAX.TIME(SEC)
215	90
230	60
245	30
260	15

FILTER IS ROHS COMPLIANT.

Confidential and Proprietary information of ComNav Engineering Inc. Do Not Duplicate or Use Without Permission. ComNav Engineering Inc. claims Copyright in this document as of the Creation, last revision, and last updated dates. All Rights Reserved.

ENGLISH / METRIC ENGLISH	CHECKED BY						
TOLERANCES UNLESS OTHERWISE SPECIFIED	DRAWN BY	A	05OCT10	MJG	DEV.	GEN. REV. PER 3268	
MACHINED SURFACES TO BE 125 / OR BETTER	ENGINEER	II	04AUG10	MJG	DEV.	INI. ISS. PER 3239	
REMOVE ALL BURRS	MJG	REV	DATE	BY	DCN No.	REMARKS	
ENGLISH (INCHES)	METRIC (MM)	SCALE	APPLIC: LC FILTER				
.XX ±.02	.X ±.25	2:1	TITLE: 7BLC1HP-495/Z73-L				
.XXX ±.010	.XX ±.13	DATE	05OCT10				
ANGLES ± 0° 30'			FINISH: BOARD: NI/AU PLATED COPPER		DRAWING No.		SHEET OF
COMNAV ENGINEERING INC.		JACKET: NI/SILVER		RESONATOR: SILVER		1 1	
						OL1127	