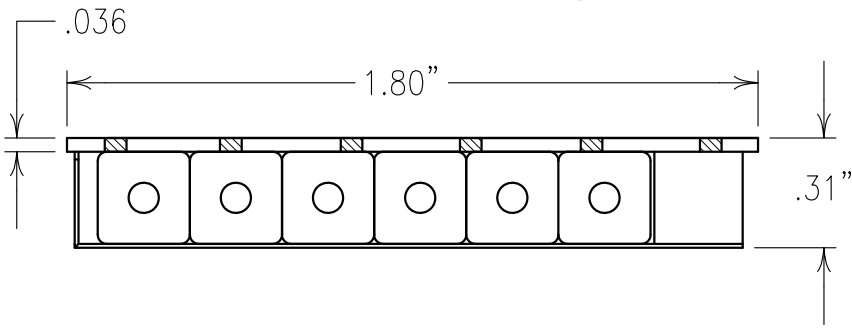
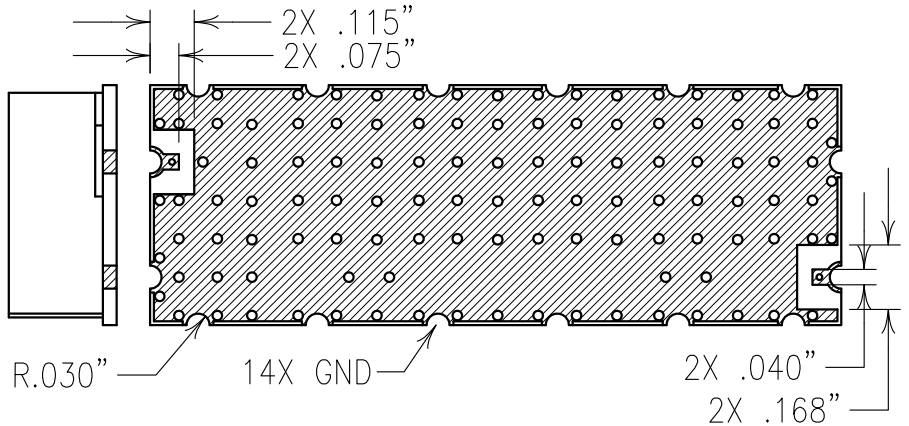
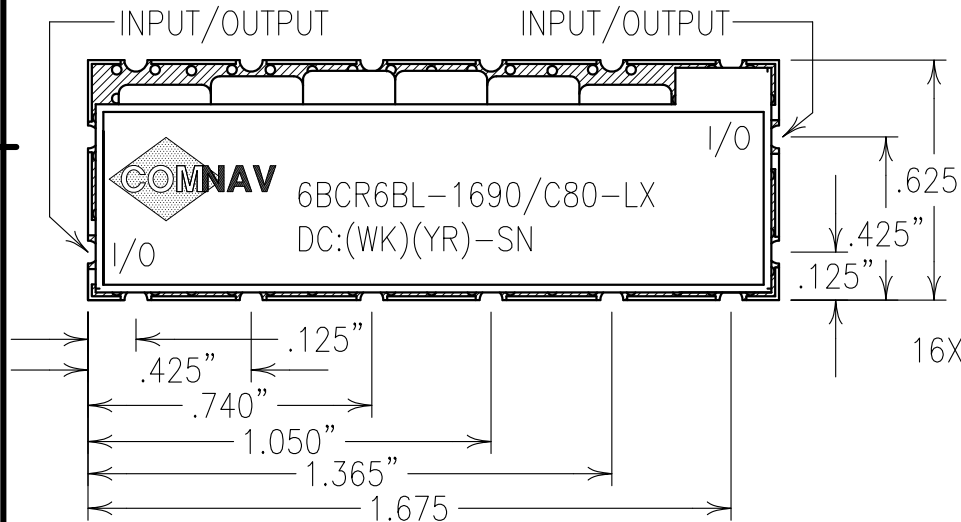


COPY



ELECTRICAL CHARACTERISTICS

CENTER FREQUENCY: 1690 MHz
 PASSBAND BANDWIDTH: 40 MHz
 LOW SIDE BANDEDGE: 1670 MHz MAX.
 HIGH SIDE BANDEDGE: 1710 MHz MIN.
 MAX. INSERTION LOSS: 2.0 dB
 PASSBAND RETURN LOSS: 15 dB
 MAX. PASSBAND FLATNESS: 0.3 dB OVER 40 MHz PASSBAND
 PASSBAND PARABOLIC GROUP DELAY: 2.75 NSEC MAX.
 REJECTION:
 40 dBc MIN. @DC to 1570 MHz
 50 dBc MIN. @ 1620 MHz
 10 dBc MIN. @ 1740-1770 MHz
 40 dBc MIN. @ 1770 MHz TO 5000 MHz



Confidential and Proprietary information of ComNav Engineering Inc. Do Not Duplicate or Use Without Permission. ComNav Engineering Inc. claims Copyright in this document as of the Creation, last revision, and last updated dates. All Rights Reserved.

NOTES:
 RECOMMENDED ATTACHMENT METHOD:
 SILVER EPOXY OR REFLOW NOT TO EXCEED AS INDICATED BELOW:

TEMP.(°C)	MAX.TIME(SEC)
215	90
230	60
245	30
260	15

FILTER IS ROHS COMPLIANT.
 FILTER MAY BE LABELED OR ETCHED.

ENGLISH / METRIC ENGLISH	CHECKED BY					
TOLERANCES UNLESS OTHERWISE SPECIFIED	DRAWN BY	A	06APR12	KJR	DEV.	GEN. REV. PER 3527
MACHINED SURFACES TO BE 125 OR BETTER	ENGINEER	II	29JUL10	KJR	DEV.	INI. ISS. PER 3238
REMOVE ALL BURRS	KJR	REV	DATE	BY	DCN No.	REMARKS
ENGLISH (INCHES)	SCALE	APPLIC: COAXIAL FILTER				
METRIC (MM)	DATE	TITLE: 6BCR6BL-1690/C80-LX				
.XX ±.02 .XXX ±.010	06APR12	FINISH: BOARD: NI/AU PLATED COPPER JACKET: NI/SILVER RESONATOR: SILVER				
ANGLES ± 0° 30'		DRAWING No.				SHEET OF 1 1
		OL1125				