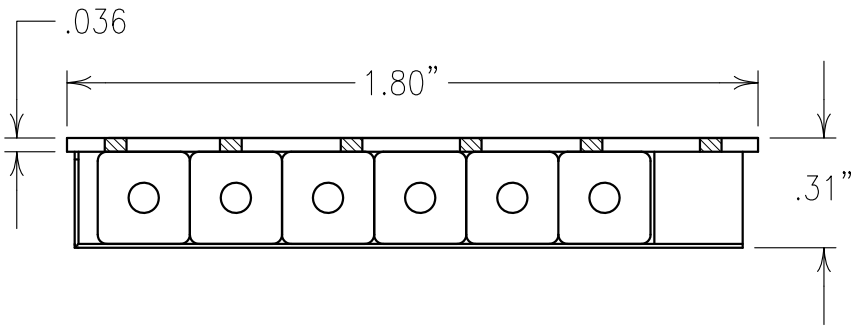
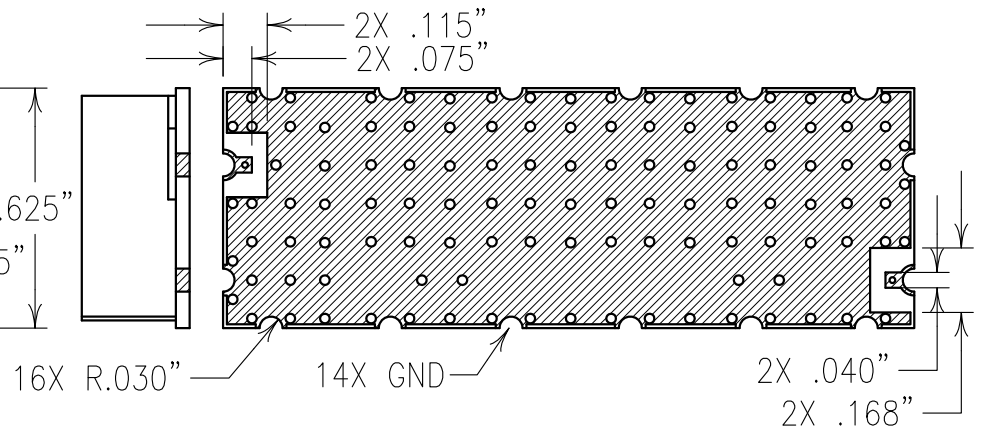
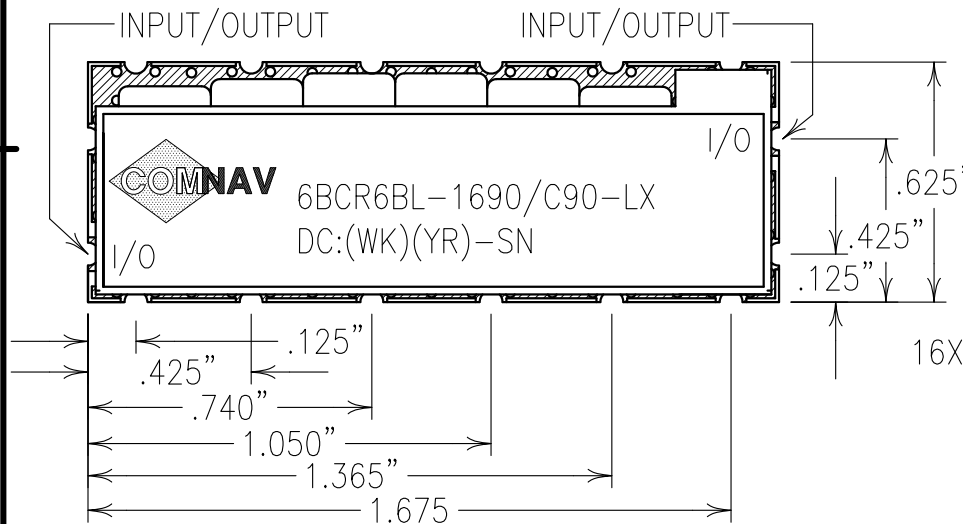


COPY



ELECTRICAL CHARACTERISTICS

CENTER FREQUENCY: 1690 MHz
 PASSBAND BANDWIDTH: 40 MHz
 LOW SIDE BANDEDGE: 1670 MHz MAX.
 HIGH SIDE BANDEDGE: 1710 MHz MIN.
 MAX. INSERTION LOSS: 2.0 dB
 PASSBAND RETURN LOSS: 15 dB
 MAX. PASSBAND FLATNESS: 0.4 dB OVER 40 MHz PASSBAND
 PASSBAND PARABOLIC GROUP DELAY: 2.75 NSEC MAX.
 REJECTION:
 50 dBc MIN. @DC to 1580 MHz
 40 dBc MIN. @ 1625 MHz
 30 dBc MIN. @ 1630 MHz
 30 dBc MIN. @ 1775 MHz TO 5000 MHz



Confidential and Proprietary information of ComNav Engineering Inc. Do Not Duplicate or Use Without Permission. ComNav Engineering Inc. claims Copyright in this document as of the Creation, last revision, and last updated dates. All Rights Reserved.

NOTES:
 RECOMMENDED ATTACHMENT METHOD:
 SILVER EPOXY OR REFLOW NOT TO EXCEED AS INDICATED BELOW:

TEMP.(°C)	MAX.TIME(SEC)
215	90
230	60
245	30
260	15

FILTER IS ROHS COMPLIANT.
 FILTER MAY BE LABELED OR ETCHED.

ENGLISH / METRIC	CHECKED BY	DATE	BY	DCN No.	REMARKS
ENGLISH	A	06APR12	KJR	DEV.	GEN. REV. PER 3527
TOLERANCES UNLESS OTHERWISE SPECIFIED	II	29JUL10	KJR	DEV.	INI. ISS. PER 3238
MACHINED SURFACES TO BE 125 OR BETTER	ENGINEER				
REMOVE ALL BURRS	KJR				

ENGLISH (INCHES)	METRIC (MM)	SCALE	APPLIC:
.XX ±.02	.X ±.25	2:1	COAXIAL FILTER
XXX ±.010	XX ±.13	DATE	TITLE:
ANGLES ± 0° 30'	06APR12		6BCR6BL-1690/C90-LX

COMNAV ENGINEERING INC. FINISH: BOARD: NI/AU PLATED COPPER JACKET: NI/SILVER RESONATOR: SILVER DRAWING No. OL1124 SHEET OF 1 1