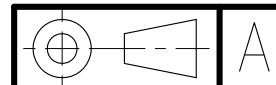
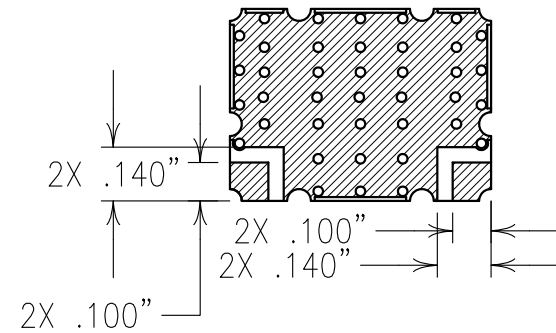
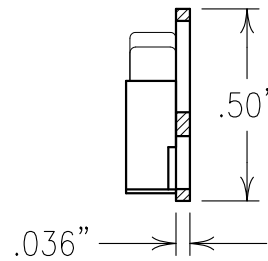
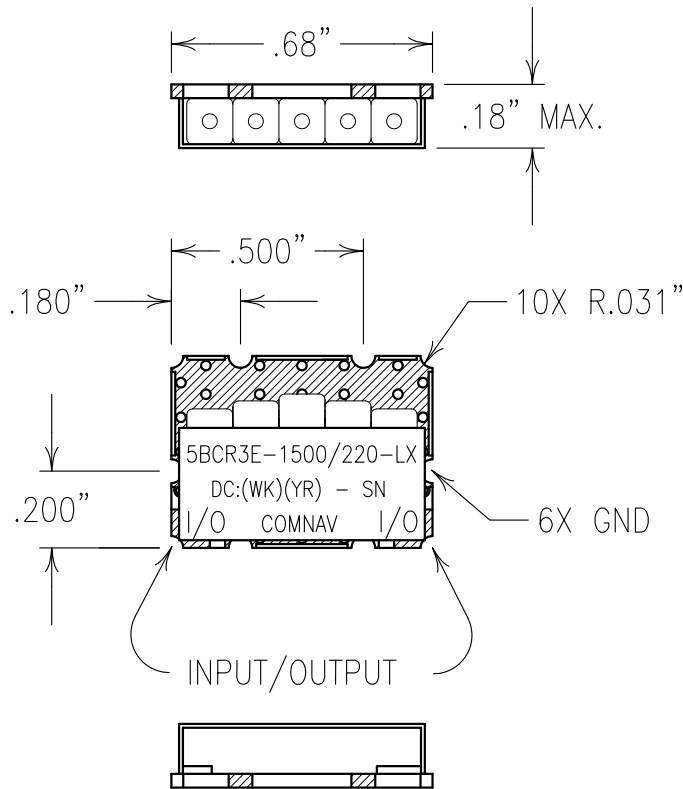


ELECTRICAL CHARACTERISTICS

CENTER FREQUENCY:	1500 MHz NOM
3 db BANDWIDTH:	220 MHz NOM.
PASSBAND:	F0 +/-100 MHz
FLATNESS:	<1.0 dB
PASSBAND VSWR:	1.7:1 TYP
INSERTION LOSS:	@F0: <1.0 dB
REJECTION:	50 dBc @ F0 +/-300 MHz

**COPY**



Confidential and Proprietary information of ComNav Engineering Inc. Do Not Duplicate or Use Without Permission. ComNav Engineering Inc. claims Copyright in this document as of the Creation, last revision, and last updated dates. All Rights Reserved.

NOTES:

RECOMMENDED ATTACHMENT METHOD:		
SILVER EPOXY OR REFLOW NOT TO EXCEED:	TEMP.(°C)	MAX. TIME (SECONDS)
	215	90
	230	60
	245	30
	260	15

FILTER IS ROHS COMPLIANT.  
 FILTER MAY BE LABELED OR ETCHED.

ENGLISH / METRIC ENGLISH	CHECKED BY				
TOLERANCES UNLESS OTHERWISE SPECIFIED MACHINED SURFACES TO BE 125 / OR BETTER REMOVE ALL BURRS	DRAWN BY EEF	A	01SEP10	KJR	DEV. GEN. REV. PER 3252
	ENGINEER KJR	II	02JUL10	KJR	DEV. INI. ISS. PER 3230
		REV	DATE	BY	DCN No. REMARKS
ENGLISH (INCHES) .XX ±.02 .XXX ±.01	METRIC (MM) .X ±.25 .XX ±.13	SCALE 2:1	APPLIC: CERAMIC COAXIAL FILTER		
ANGLES ± 0° 30'	DATE 01SEP10	TITLE: 5BCR3E-1500/220-LX			
	FINISH: BOARD: NI/AU JACKET: NI/SILVER RESONATOR: SILVER	DRAWING No. OL1114	SHEET/OF 1/1		