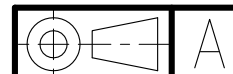
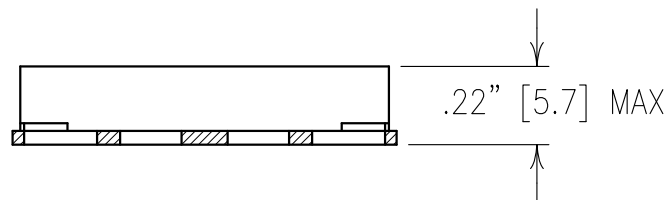
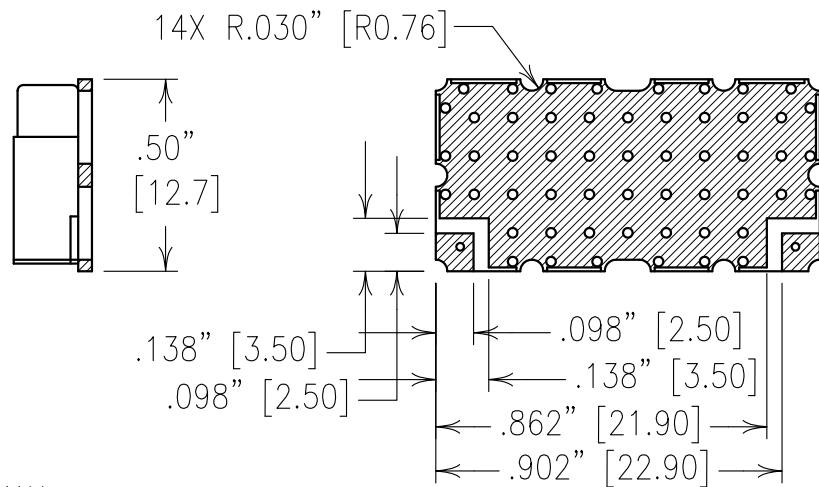
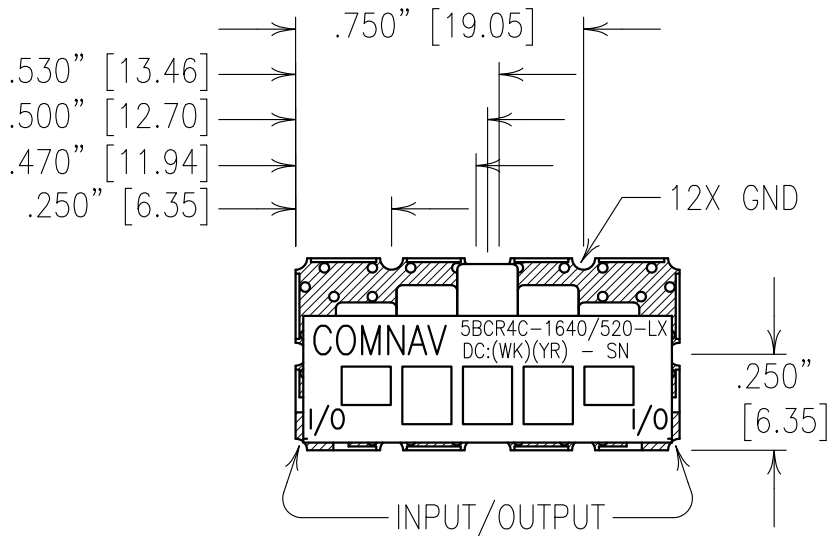


ELECTRICAL CHARACTERISTICS	
CENTER FREQUENCY:	1640 MHz
PASSBAND:	1429-1850 MHz
INSERTION LOSS:	1.5 dB MAX @ FO
PASSBAND FLATNESS:	1.0 dB MAX
RETURN LOSS:	1.5:1 TYPICAL
REJECTION:	
	20 dBc MIN @ FO±380 MHz
	30 dBc MIN @ FO±460 MHz

**COPY**



Confidential and Proprietary information of ComNav Engineering Inc. Do Not Duplicate or Use Without Permission. ComNav Engineering Inc. claims Copyright in this document as of the Creation, last revision, and last updated dates. All Rights Reserved.

**NOTES:**

RECOMMENDED ATTACHMENT METHOD:  
SILVER EPOXY OR REFLOW NOT TO EXCEED AS INDICATED BELOW:

TEMP.(°C) MAX.TIME(SEC)

215	90
230	60
245	30
260	15

FILTER IS ROHS COMPLIANT.  
FILTER MAY BE LABELED OR ETCHED.

ENGLISH / METRIC		CHECKED BY				
ENGLISH						
TOLERANCES UNLESS OTHERWISE SPECIFIED	DRAWN BY					
MACHINED SURFACES TO BE 125 OR BETTER	PBF					
REMOVE ALL BURRS	ENGINEER	II	30JUN10	KJR	DEV. INI. ISS. PER 3229	
	KJR	REV	DATE	BY	DCN No. REMARKS	
ENGLISH (INCHES)	METRIC (MM)	SCALE	APPLIC: CERAMIC COAXIAL FILTER			
.XX ±.02	.X ±.50	2:1	TITLE: 5BCR4C-1640/520-LX			
.XXX ±.010	.XX ±.25	DATE				
ANGLES ± 0° 30'		08JUL10				
FINISH: BOARD: NICKEL/GOLD JACKET: NICKEL/SILVER		DRAWING No.		SHEET OF		
COMNAV ENGINEERING INC		OL1111		1 1		