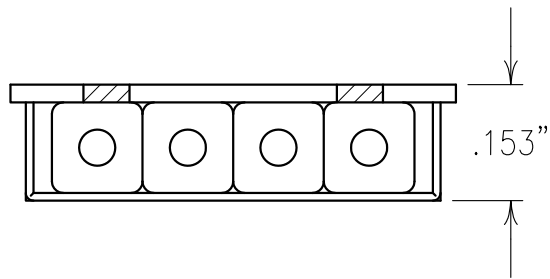


2

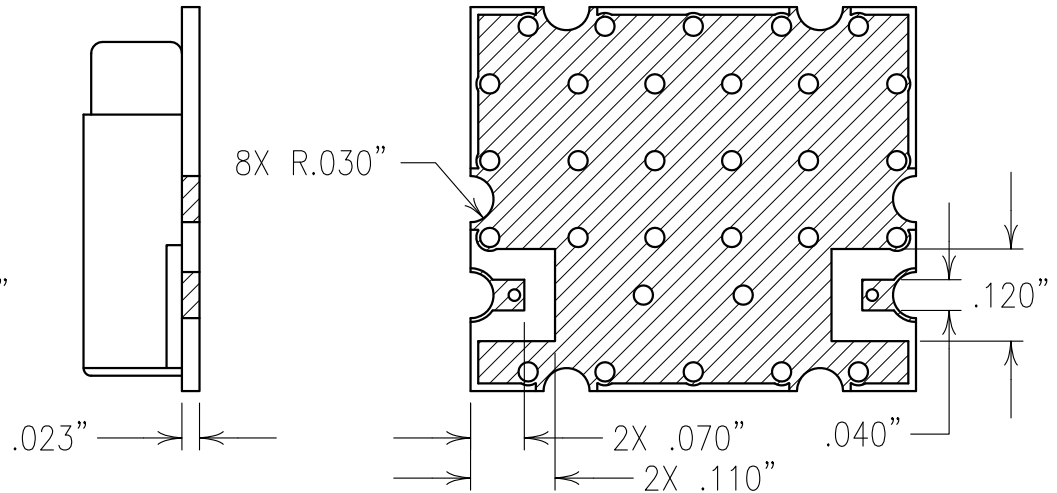
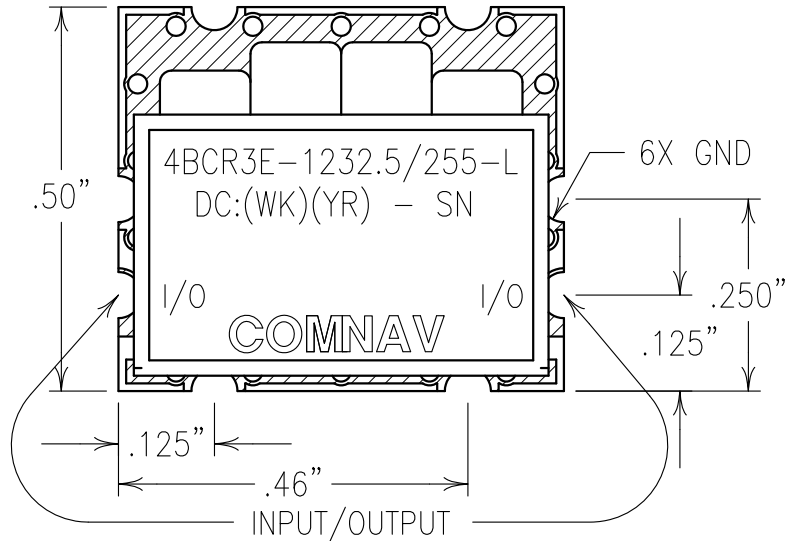
1



**COPY**

ELECTRICAL CHARACTERISTICS

CENTER FREQUENCY:	1232.5 MHz NOM
PASSBAND:	1155-1310 MHz
PASSBAND INSERTION LOSS:	1.0 dB MAX.
PASSBAND FLATNESS:	<0.5 dB
VSWR:	1.5:1 TYP.
REJECTION:	
10 dBc MIN @	1092.5 MHz
10 dBc MIN @	1372.5 MHz
25 dBc MIN @	1032.5 MHz
25 dBc MIN @	1432.5 MHz



NOTES:

RECOMMENDED ATTACHMENT METHOD: SILVER EPOXY OR REFLOW NOT TO EXCEED AS INDICATED BELOW:

TEMP.(°C)	MAX.TIME(SEC)
215	90
230	60
245	30
260	15

FILTER IS ROHS COMPLIANT.  
FILTER MAY BE ETCHED OR LABELED.

Confidential and Proprietary information of ComNav Engineering Inc. Do Not Duplicate or Use Without Permission. ComNav Engineering Inc. claims Copyright in this document as of the Creation, last revision, and last updated dates. All Rights Reserved.

ENGLISH / METRIC ENGLISH	CHECKED BY						
TOLERANCES UNLESS OTHERWISE SPECIFIED	DRAWN BY						
MACHINED SURFACES TO BE 125 OR BETTER	ENGINEER	II	12APR10	KJR	DEV.		INI. ISS. PER 3199
REMOVE ALL BURRS	ENGINEER	REV	DATE	BY	DCN No.		REMARKS
ENGLISH (INCHES)	METRIC (MM)	SCALE	APPLIC: CERAMIC COAXIAL FILTER				
.XX ±.02	.X ±.25	4:1	TITLE: 4BCR3E-1232.5/255-L				
.XXX ±.010	.XX ±.13	DATE	DRAWING No. 0L1086				
ANGLES ± 0° 30'	13APR10	FINISH: BOARD: NICKEL/GOLD JACKET: NICKEL/SILVER RESONATOR: SILVER					
COMNAV ENGINEERING INC.		SHEET OF 1 1					