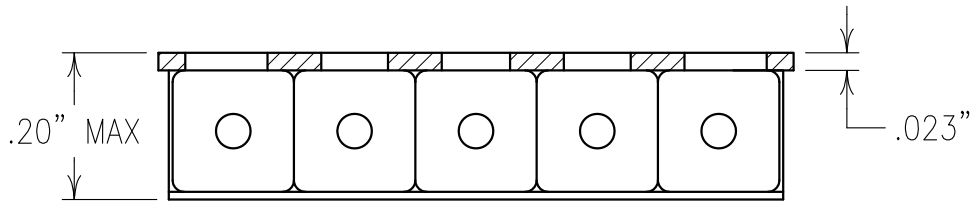


2

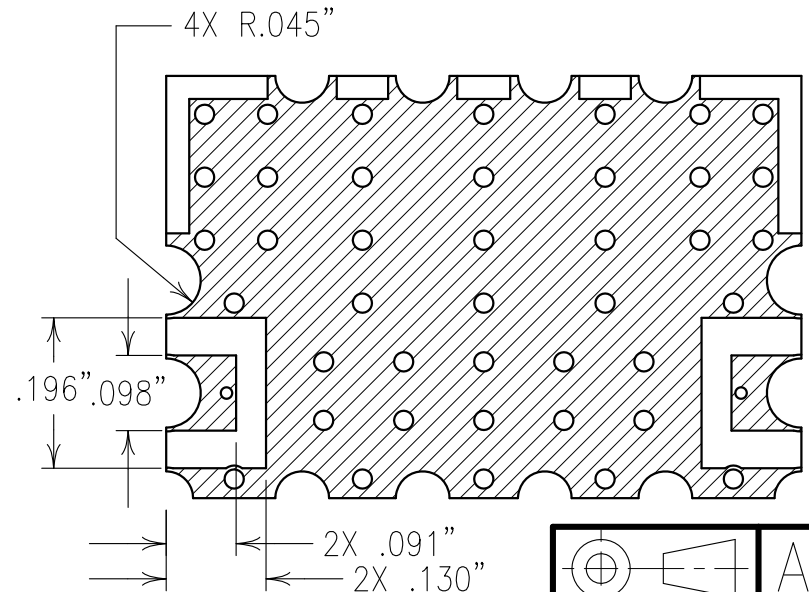
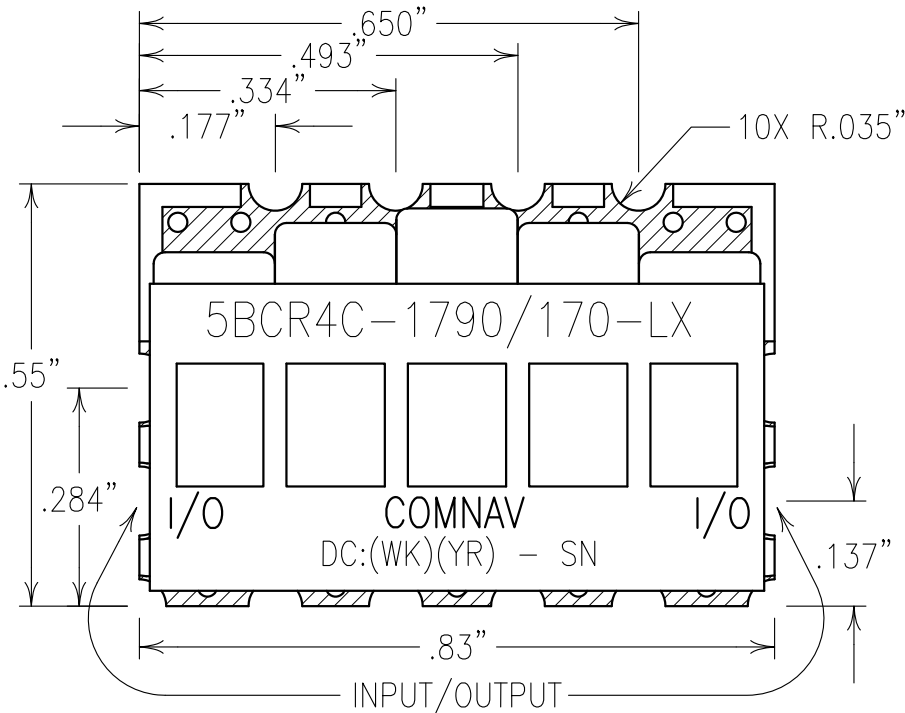
1



ELECTRICAL CHARACTERISTICS

CENTER FREQUENCY: 1790 MHz
 0.5 dB PASSBAND: 1710-1870 MHz
 INSERTION LOSS: 1.5 dB MAX @ 1790 MHz
 PASSBAND VSWR: 1.8:1 MAX
 PASSBAND GROUP DELAY LINEAR: 5.0 nSEC MAX
 REJECTION:
 33 dBc MIN @ 1590 MHz
 28 dBc MIN @ 1990 MHz
 20 dBc MIN ULTIMATE OUT TO 4.8 GHz

COPY



Confidential and Proprietary information of ComNav Engineering Inc. Do Not Duplicate or Use Without Permission. ComNav Engineering Inc. claims Copyright in this document as of the Creation, last revision, and last updated dates. All Rights Reserved.

NOTES:

RECOMMENDED ATTACHMENT METHOD:	TEMP.(°C)	MAX. TIME (SECONDS)
SILVER EPOXY OR REFLOW NOT TO EXCEED:	215	90
	230	60
FILTER IS ROHS COMPLIANT.	245	30
FILTER MAY BE LABELED OR ETCHED.	260	15

ENGLISH / METRIC ENGLISH	CHECKED BY				
TOLERANCES UNLESS OTHERWISE SPECIFIED MACHINED SURFACES TO BE 125 / OR BETTER REMOVE ALL BURRS	DRAWN BY PBF	II	13MAR10	KJR	DEV. INI. ISS. PER 3194
ENGLISH (INCHES) .XX ±.02 .XXX ±.01	ENGINEER KJR	REV	DATE	BY	DCN No. REMARKS
METRIC (MM) .X ±.25 .XX ±.13	SCALE 4:1	APPLIC: CERAMIC COAXIAL FILTER			
ANGLES ± 0° 30'	DATE 15MAR10	TITLE: 5BCR4C-1790/170-LX			
	FINISH: BOARD: NI/AU JACKET: NI/SILVER RESONATOR: SILVER	DRAWING No. OL1076		SHEET/OF 1 / 1	