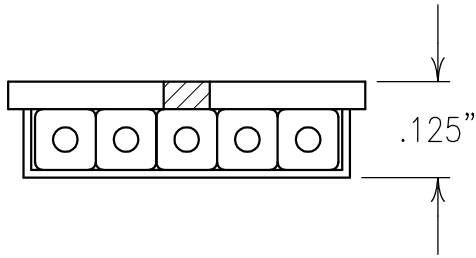


2

1

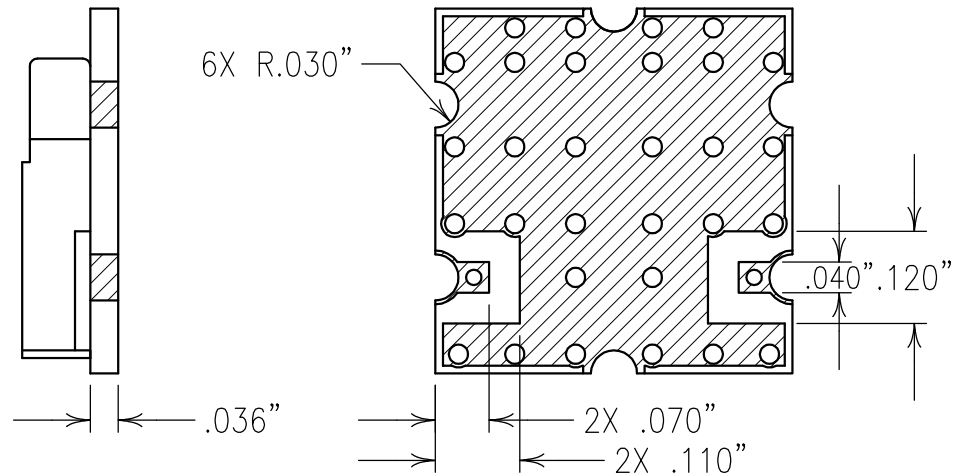
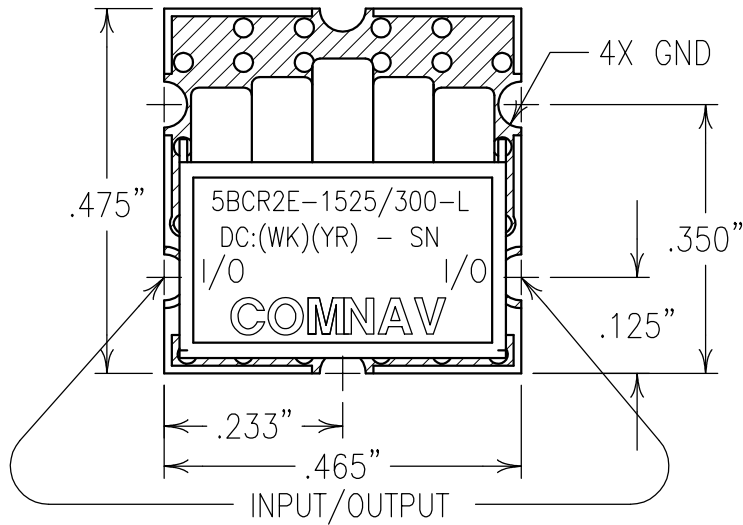


COPY

ELECTRICAL CHARACTERISTICS

CENTER FREQUENCY: 1525 MHz
 PASSBAND: 1400-1650 MHz
 PASSBAND INSERTION LOSS: 1.5 dB MAX.
 PASSBAND RIPPLE: <0.75 dB
 PASSBAND RETURN LOSS: 15 dB MIN.
 REJECTION: 1000 MHz: >70 dBc
 1300 MHz: >25 dBc
 1800 MHz: >20 dBc
 2000 MHz: >40 dBc
 2500-3400 MHz: >65 dBc
 OPERATING TEMP: -40° TO +85°C
 POWER HANDLING: 2 WATTS

B



NOTES:

RECOMMENDED ATTACHMENT METHOD: SILVER EPOXY
OR REFLOW NOT TO EXCEED AS INDICATED BELOW:

TEMP.(°C) MAX.TIME(SEC)

215	90
230	60
245	30
260	15

FILTER IS ROHS COMPLIANT.
FILTER MAY BE ETCHED OR LABELED.

Confidential and Proprietary information of ComNav Engineering Inc. Do Not Duplicate or Use Without Permission. ComNav Engineering Inc. claims Copyright in this document as of the Creation, last revision, and last updated dates. All Rights Reserved.

ENGLISH / METRIC ENGLISH		CHECKED BY								A	
TOLERANCES UNLESS OTHERWISE SPECIFIED		DRAWN BY		EEF						A	
MACHINED SURFACES TO BE 125 / OR BETTER		ENGINEER		MJC		REV		DATE		BY	
REMOVE ALL BURRS		MJC		24DEC09		MJC		DEV.		INI. ISS. PER 3172	
ENGLISH (INCHES)		METRIC (MM)		SCALE		APPLIC:		CERAMIC COAXIAL FILTER			
.XX ±.01		.X ±.2		4:1		DATE		TITLE:		5BCR2E-1525/300-L	
.XXX ±.005		.XX ±.13		11JAN10		FINISH:		BOARD: NICKEL/GOLD		DRAWING No.	
ANGLES ± 0° 30'		JACKET: NICKEL/SILVER		RESONATOR: SILVER		RESONATOR: SILVER		0L1067		SHEET OF 1 1	