

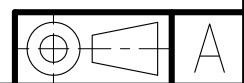
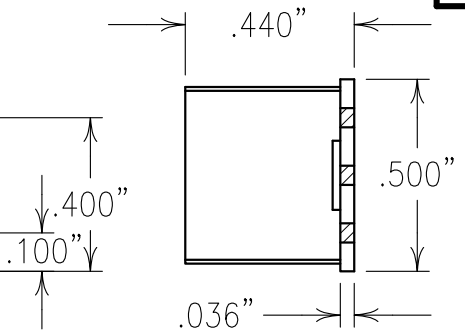
COPY

ELECTRICAL CHARACTERISTICS	
CENTER FREQUENCY: 415 MHz TYP.	
INSERTION LOSS:	
2.1 dB MAX @ 380-390 MHz	
1.5 dB MAX @ 390-440 MHz	
2.1 dB MAX @ 440-450 MHz	
PASSBAND FLATNESS:	
0.6 dB MAX @ 380-385 MHz	
0.4 dB MAX @ 385-447 MHz	
0.6 dB MAX @ 447-450 MHz	
RETURN LOSS:	
1.5:1 MAX @ 300-360 MHz	
ATTENUATION:	
DC-340 MHz:	50 dBc MIN.
520-3000 MHz:	50 dBc MIN.
OPERATING TEMP.: -40 TO +85°C	
RF INPUT POWER:	
AVERAGE POWER:	+39 dBm
MAXIMUM POWER:	+44 dBm

NOTES:
 RECOMMENDED ATTACHMENT METHOD:
 SILVER EPOXY OR REFLOW NOT TO EXCEED AS INDICATED BELOW:

TEMP.(°C)	MAX.TIME(SEC)
215	90
230	60
245	30
260	15

FILTER IS ROHS COMPLIANT.
 FILTER MAY BE LABELED OR ETCHED.



Confidential and Proprietary information of ComNav Engineering Inc. Do Not Duplicate or Use Without Permission. ComNav Engineering Inc. claims Copyright in this document as of the Creation, last revision, and last updated dates. All Rights Reserved.

ENGLISH / METRIC	CHECKED BY				
ENGLISH					
TOLERANCES UNLESS OTHERWISE SPECIFIED	DRAWN BY	A	24FEB10	KJR	DEV.
MACHINED SURFACES TO BE 125/10 OR BETTER	PFB				
REMOVE ALL BURRS	ENGINEER	II	16DEC09	KJR	DEV.
	KJR	REV	DATE	BY	DCN No.
					REMARKS

ENGLISH (INCHES)	METRIC (MM)	SCALE	APPLIC:
.XX ±.02	.X ±.50	2:1	CHIP AND WIRE FILTER
.XXX ±.010	.XX ±.25	DATE	TITLE:
ANGLES ± 0° 30'	24FEB10		7BLC1-415/Z90-L

	FINISH: BOARD: NICKEL/GOLD JACKET: NICKEL/SILVER	DRAWING No.	SHEET OF
		OL1065	1 1