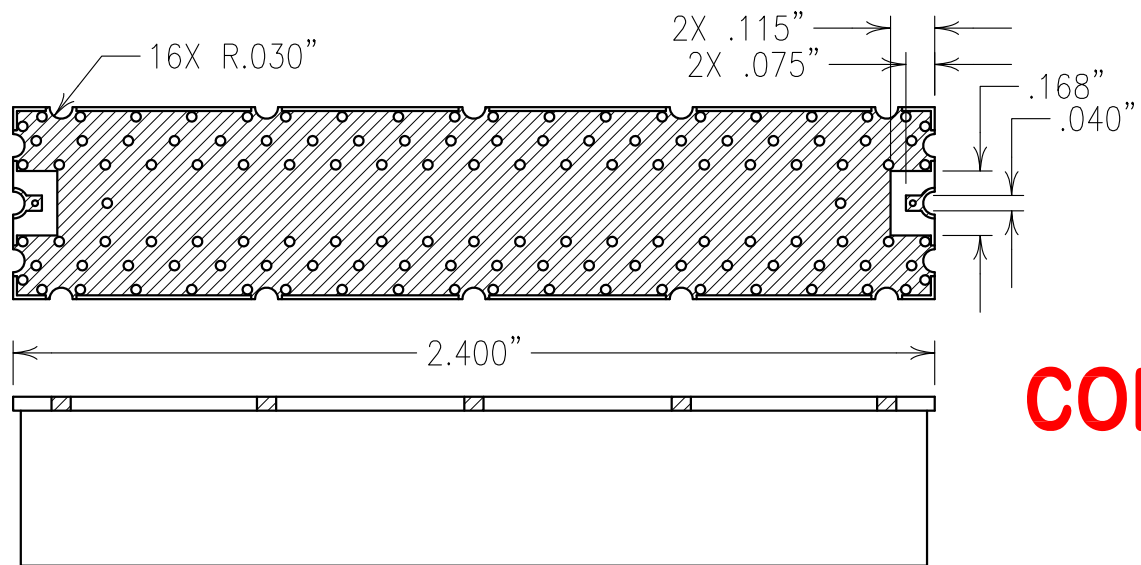


2

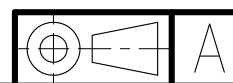
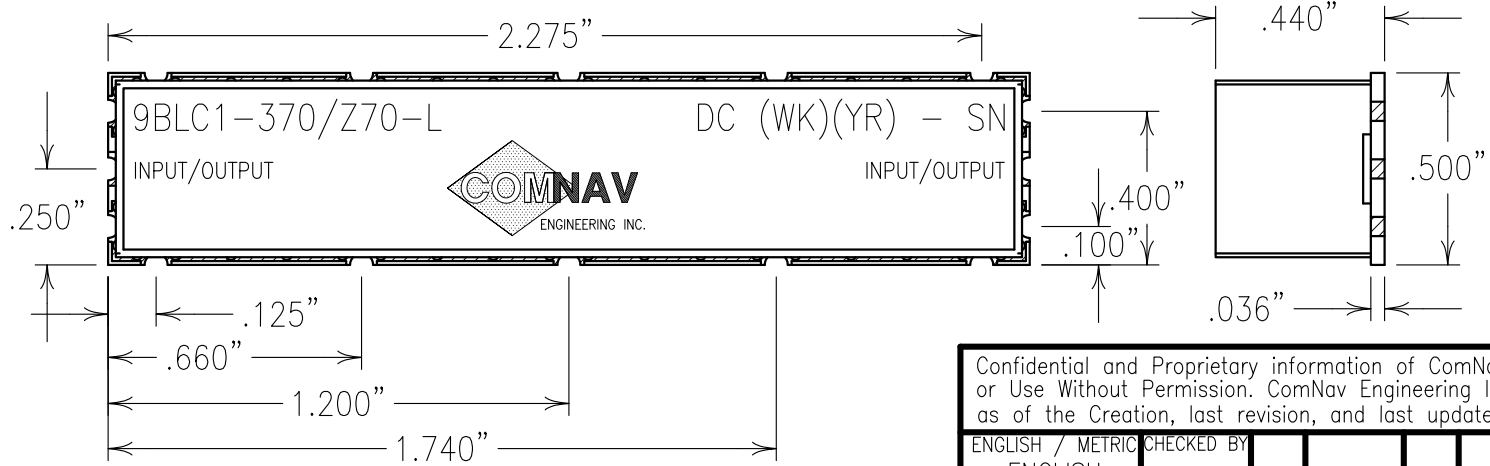
1



ELECTRICAL CHARACTERISTICS

CENTER FREQUENCY: 370 MHz TYP.
 INSERTION LOSS:
 2.5 dB MAX @ 340-350 MHz
 1.5 dB MAX @ 350-380 MHz
 2.8 dB MAX @ 380-400 MHz
 PASSBAND FLATNESS:
 0.7 dB MAX @ 340-345 MHz
 0.4 dB MAX @ 345-390 MHz
 1.3 dB MAX @ 390-400 MHz
 RETURN LOSS:
 1.5:1 MAX @ 340-400 MHz
 ATTENUATION:
 DC-305 MHz: 50 dBc MIN.
 420-455 MHz: 50 dBc MIN.
 500-3000 MHz: 60 dBc MIN.
 OPERATING TEMP.: -40 TO +85°C
 RF INPUT POWER:
 AVERAGE POWER: +39 dBm
 MAXIMUM POWER: +44 dBm

COPY



Confidential and Proprietary information of ComNav Engineering Inc. Do Not Duplicate or Use Without Permission. ComNav Engineering Inc. claims Copyright in this document as of the Creation, last revision, and last updated dates. All Rights Reserved.

ENGLISH / METRIC ENGLISH	CHECKED BY				
TOLERANCES UNLESS OTHERWISE SPECIFIED MACHINED SURFACES TO BE 125/10 OR BETTER REMOVE ALL BURRS	DRAWN BY PBF	A	24FEB10	KJR	DEV.
	ENGINEER KJR	II	16DEC09	KJR	DEV.
	REV	DATE	BY	DCN No.	REMARKS
ENGLISH (INCHES) .XX ±.02 .XXX ±.010	METRIC (MM) .X ±.50 .XX ±.25	SCALE 2:1	APPLIC: CHIP AND WIRE FILTER		
ANGLES ± 0° 30'	DATE 24FEB10	TITLE: 9BLC1-370/Z70-L			

NOTES:
 RECOMMENDED ATTACHMENT METHOD:
 SILVER EPOXY OR REFLOW NOT TO EXCEED AS INDICATED BELOW:

TEMP.(°C)	MAX.TIME(SEC)
215	90
230	60
245	30
260	15

FILTER IS ROHS COMPLIANT.
 FILTER MAY BE LABELED OR ETCHED.



FINISH: BOARD: NICKEL/GOLD
 JACKET: NICKEL/SILVER

DRAWING No. OL1064
 SHEET OF 1 1