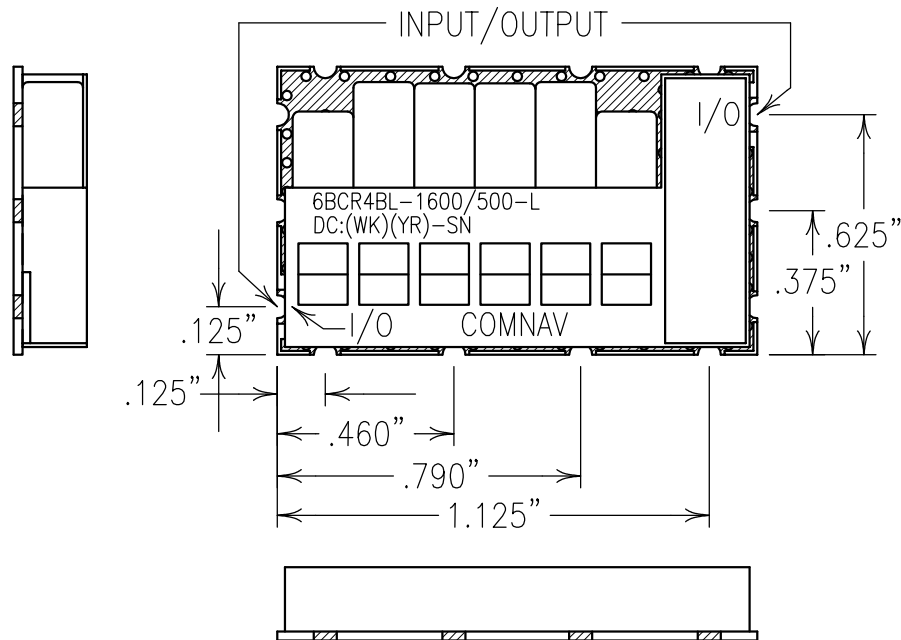
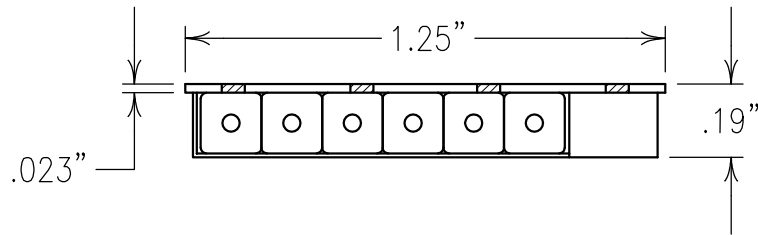
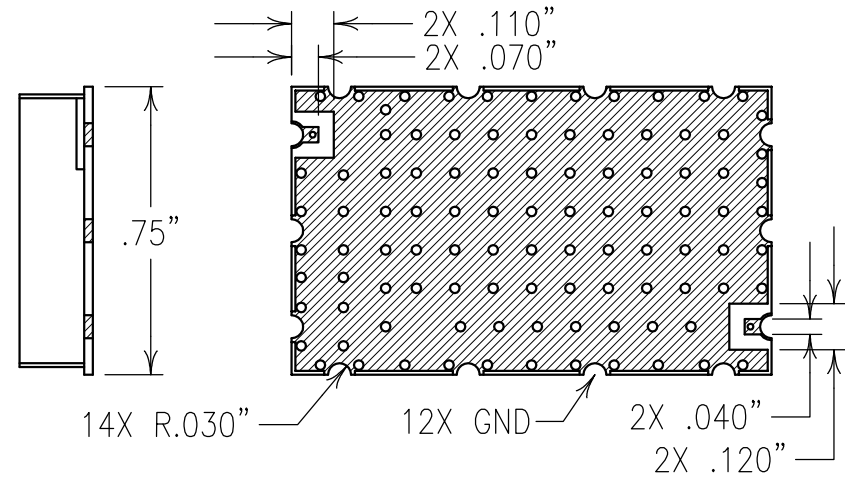


COPY



ELECTRICAL CHARACTERISTICS	
CENTER FREQUENCY:	1600 MHz
PASSBAND:	1400-1800 MHz
PASSBAND FLATNESS:	0.4 dB MAX/0.25 dB GOAL
PASSBAND LOSS:	1.0 dB MAX
PASSBAND RETURN LOSS:	17.7 dB
REJECTION:	35 dBc MIN @ 1100 MHz
	40 dBc MIN @ 2250 MHz
	50 dBc MIN @ 2900 MHz
OPERATING TEMP.:	-25 TO +80°C
POWER HANDLING:	+13 dBm

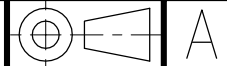


NOTES:
 RECOMMENDED ATTACHMENT METHOD:
 SILVER EPOXY OR REFLOW NOT TO
 EXCEED AS INDICATED BELOW:

TEMP.(°C)	MAX.TIME(SEC)
215	90
230	60
245	30
260	15

FILTER IS ROHS COMPLIANT.
 FILTER MAY BE LABELED OR ETCHED.

Confidential and Proprietary information of ComNav Engineering Inc. Do Not Duplicate or Use Without Permission. ComNav Engineering Inc. claims Copyright in this document as of the Creation, last revision, and last updated dates. All Rights Reserved.



ENGLISH / METRIC ENGLISH	CHECKED BY				
TOLERANCES UNLESS OTHERWISE SPECIFIED	DRAWN BY				
MACHINED SURFACES TO BE 125/100 OR BETTER	ENGINEER	II	26OCT09	KJR	DEV.
REMOVE ALL BURRS	ENGINEER				INI. ISS. PER 3142
	ENGINEER				REMARKS
ENGLISH (INCHES)	SCALE	APPLIC: COAXIAL FILTER			
METRIC (MM)	DATE	TITLE: 6BCR4BL-1600/500-L			
.XX ±.02	03NOV09				
.XXX ±.010					
ANGLES ± 0° 30'					
	FINISH:	BOARD: NI/AU PLATED COPPER	DRAWING No.		
		JACKET: NI/SILVER	OL1053		
		RESONATOR: SILVER	SHEET OF 1 1		