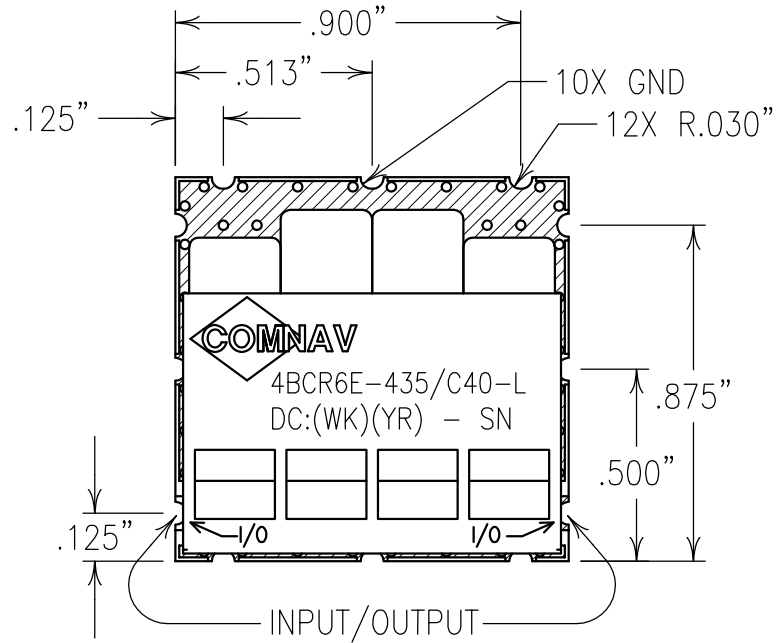
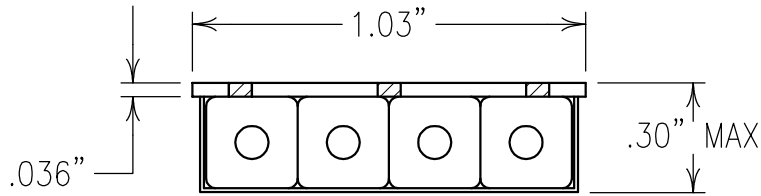
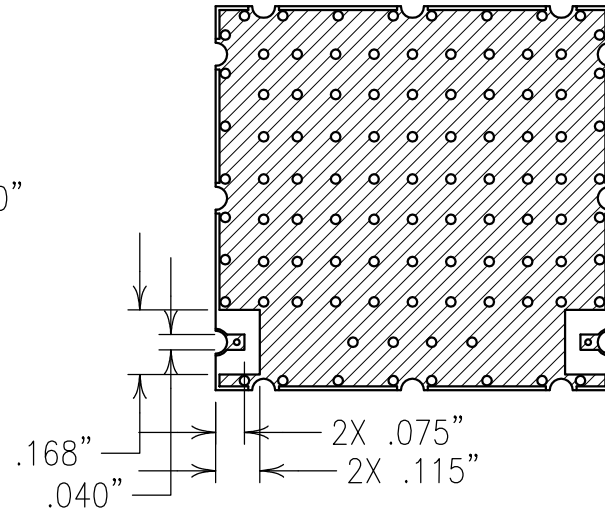
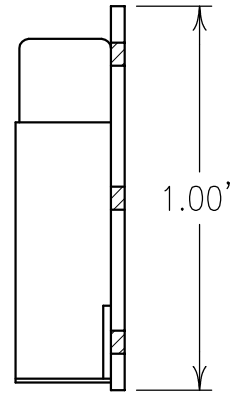


2

1



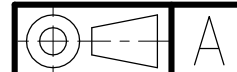
COPY



ELECTRICAL CHARACTERISTICS

CENTER FREQUENCY:	435 MHz	NOM
PASSBAND:	420-450 MHz	
PASSBAND LOSS:	<1.7 dB	
PASSBAND VSWR:	1.5:1	
REJECTION:		
	37 dBc @ 386 MHz	
	37 dBc @ 470 MHz	

B



Confidential and Proprietary information of ComNav Engineering Inc. Do Not Duplicate or Use Without Permission. ComNav Engineering Inc. claims Copyright in this document as of the Creation, last revision, and last updated dates. All Rights Reserved.

NOTES:

RECOMMENDED ATTACHMENT METHOD: SILVER EPOXY OR REFLOW NOT TO EXCEED AS INDICATED BELOW:

TEMP.(°C)	MAX.TIME(SEC)	
215	90	
230	60	
245	30	FILTER IS NOT ROHS COMPLIANT.
260	15	FILTER MAY BE LABELED OR ETCHED.

ENGLISH / METRIC ENGLISH	CHECKED BY				
TOLERANCES UNLESS OTHERWISE SPECIFIED	DRAWN BY				
MACHINED SURFACES TO BE 125 / OR BETTER	PBF				
REMOVE ALL BURRS	ENGINEER	II	14OCT09	KJR	DEV. INI. ISS. PER 3138
	KJR	REV	DATE	BY	DCN No. REMARKS
ENGLISH (INCHES)	METRIC (MM)	SCALE	APPLIC: CERAMIC COAXIAL FILTER		
.XX ±.02	.X ±.5	2:1	TITLE: 4BCR6E-435/C40-L		
.XXX ±.010	.XX ±.25	DATE	19OCT09		
ANGLES ± 0° 30'					
COMNAV ENGINEERING INC	FINISH:	DRAWING No.		SHEET OF	
	BOARD: TIN/LEAD	OL1050		1 1	
	RESONATOR: SILVER				
	JACKET: NICKEL/SILVER				

A