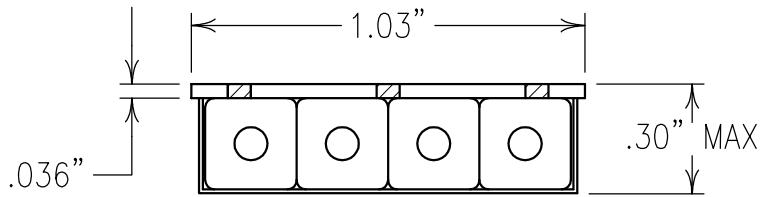


2

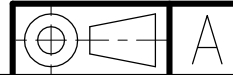
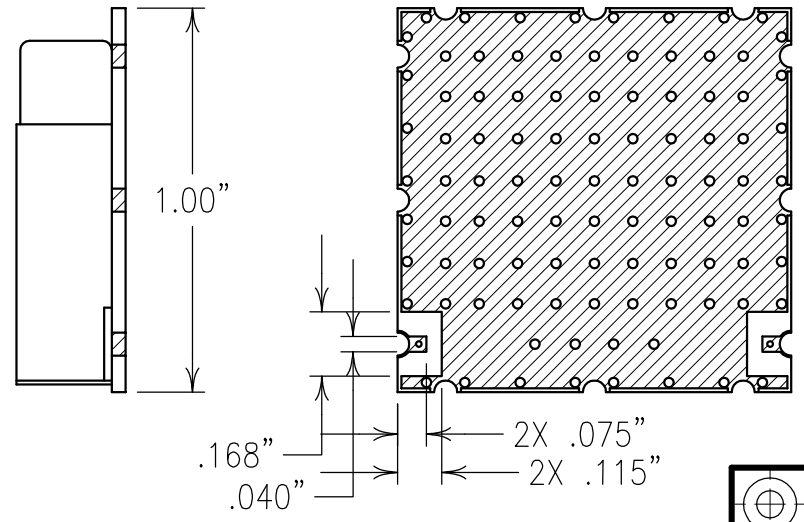
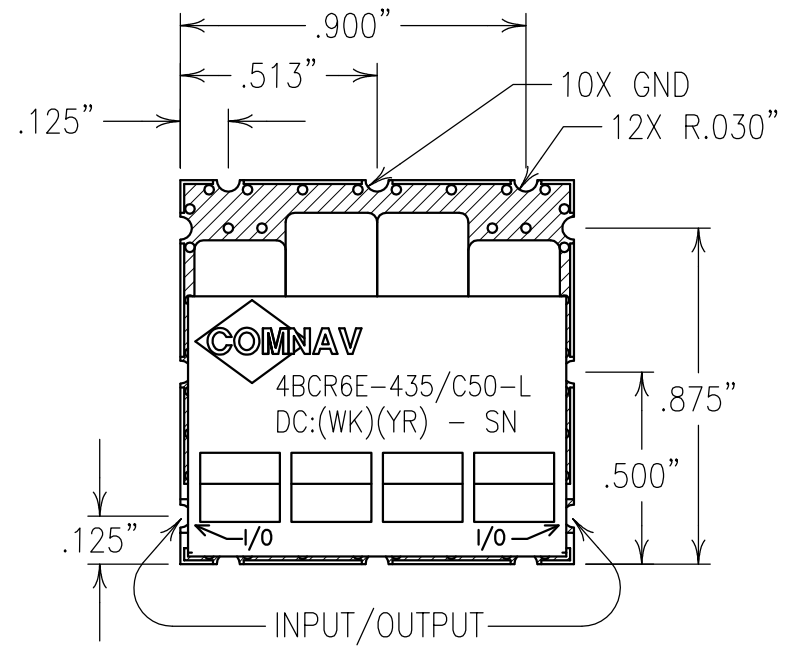
1



COPY

ELECTRICAL CHARACTERISTICS

CENTER FREQUENCY:	435 MHz NOM
PASSBAND:	420-450 MHz
PASSBAND LOSS:	<1.0 dB
PASSBAND VSWR:	1.5:1
REJECTION:	
	23 dBc @ 386 MHz
	23 dBc @ 470 MHz



Confidential and Proprietary information of ComNav Engineering Inc. Do Not Duplicate or Use Without Permission. ComNav Engineering Inc. claims Copyright in this document as of the Creation, last revision, and last updated dates. All Rights Reserved.

NOTES:

RECOMMENDED ATTACHMENT METHOD: SILVER EPOXY OR REFLOW NOT TO EXCEED AS INDICATED BELOW:

TEMP.(°C)	MAX.TIME(SEC)
215	90
230	60
245	30
260	15

FILTER IS NOT ROHS COMPLIANT.
FILTER MAY BE LABELED OR ETCHED.

ENGLISH / METRIC ENGLISH	CHECKED BY				
TOLERANCES UNLESS OTHERWISE SPECIFIED	DRAWN BY				
MACHINED SURFACES TO BE 125 / OR BETTER	PBF	II	14OCT09	KJR	DEV. INI. ISS. PER 3138
REMOVE ALL BURRS	ENGINEER	REV	DATE	BY	DCN No. REMARKS
ENGLISH (INCHES)	KJR				
METRIC (MM)	SCALE	APPLIC: CERAMIC COAXIAL FILTER			
.XX ±.02	2:1	TITLE: 4BCR6E-435/C50-L			
.XXX ±.010	DATE	DRAWING No. SHEET OF			
ANGLES ± 0° 30'	15OCT09	1 1			
COMNAV ENGINEERING INC	FINISH: BOARD: TIN/LEAD RESONATOR: SILVER JACKET: NICKEL/SILVER	0L1049			