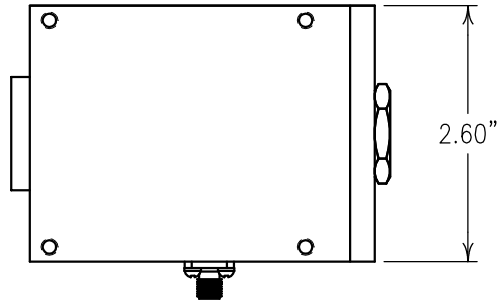


2

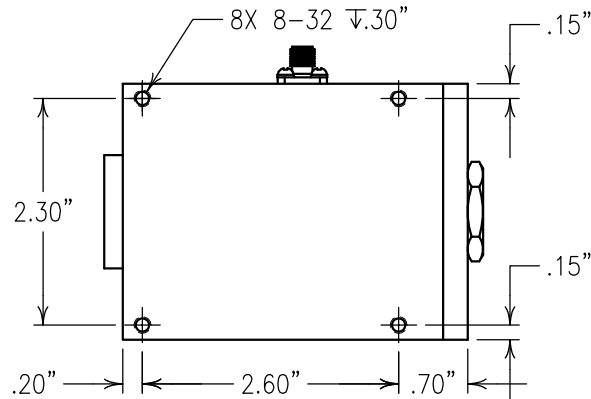
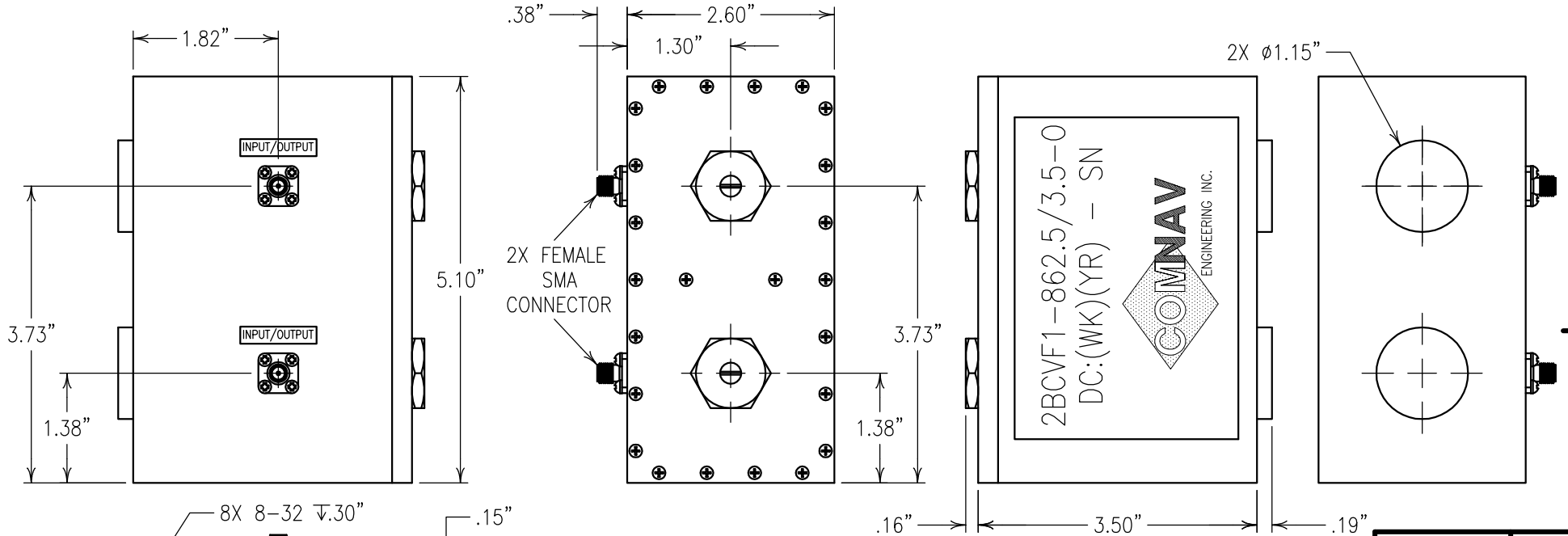
1



COPY

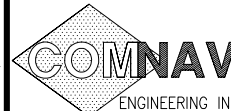
ELECTRICAL CHARACTERISTICS

CENTER FREQUENCY (F0):	862.5 MHz
INSERTION LOSS AT F0:	<0.9 dB
INSERTION LOSS AT F0±0.5 MHz:	<1.0 dB
REJECTION:	@ 865 MHz: 6 dBc
	@ 868 MHz: 18 dBc
INPUT/OUTPUT RETURN LOSS:	>15 dB



ENGLISH / METRIC ENGLISH	CHECKED BY				
TOLERANCES UNLESS OTHERWISE SPECIFIED MACHINED SURFACES TO BE 125 OR BETTER REMOVE ALL BURRS	DRAWN BY	DATE	BY	DCN	REMARKS
ENGLISH (INCHES) .XX ±.02 .XXX ±.01	EEF	03AUG09	KJR		GEN. REV. PER 3094
METRIC (MM) .X ±.2 .XX ±.13	ENGINEER	26MAY09	KJR		INI. ISS. PER 3064
ANGLES ± 0° 30'	KJR	REV	DATE	BY	DCN No.
	SCALE	APPLIC: CAVITY FILTER			
	1:2	TITLE: 2BCVF1-862.5/3.5-0			
	DATE	03AUG09			SHEET OF 1 1

Confidential and Proprietary information of ComNav Engineering Inc. Do Not Duplicate or Use Without Permission. ComNav Engineering Inc. claims Copyright in this document as of the Creation, last revision, and last updated dates. All Rights Reserved.



MATERIALS: ALUMINUM AND BRASS
FINISH: SILVER

DRAWING No.
OL1019