

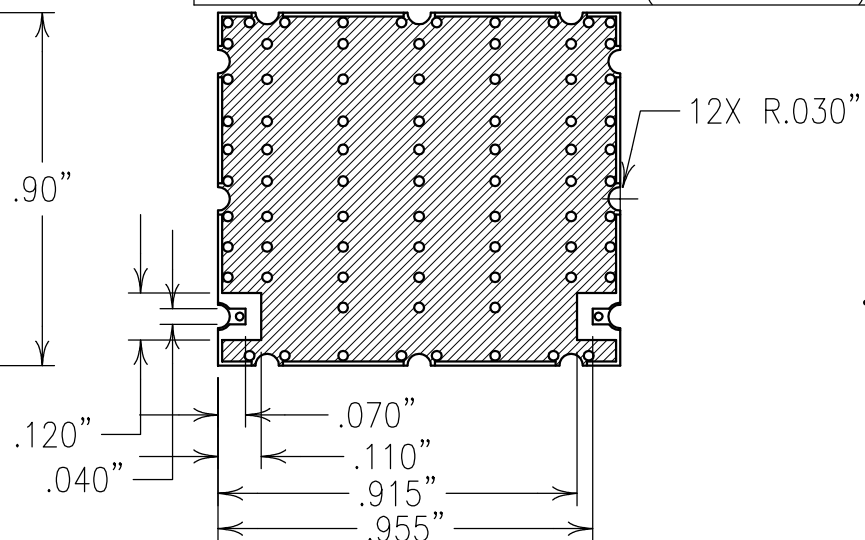
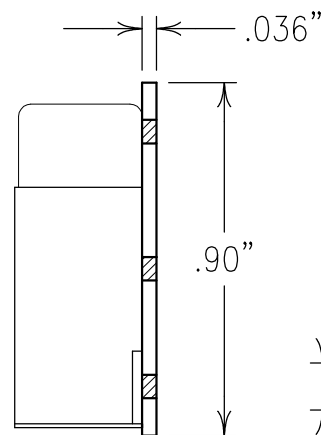
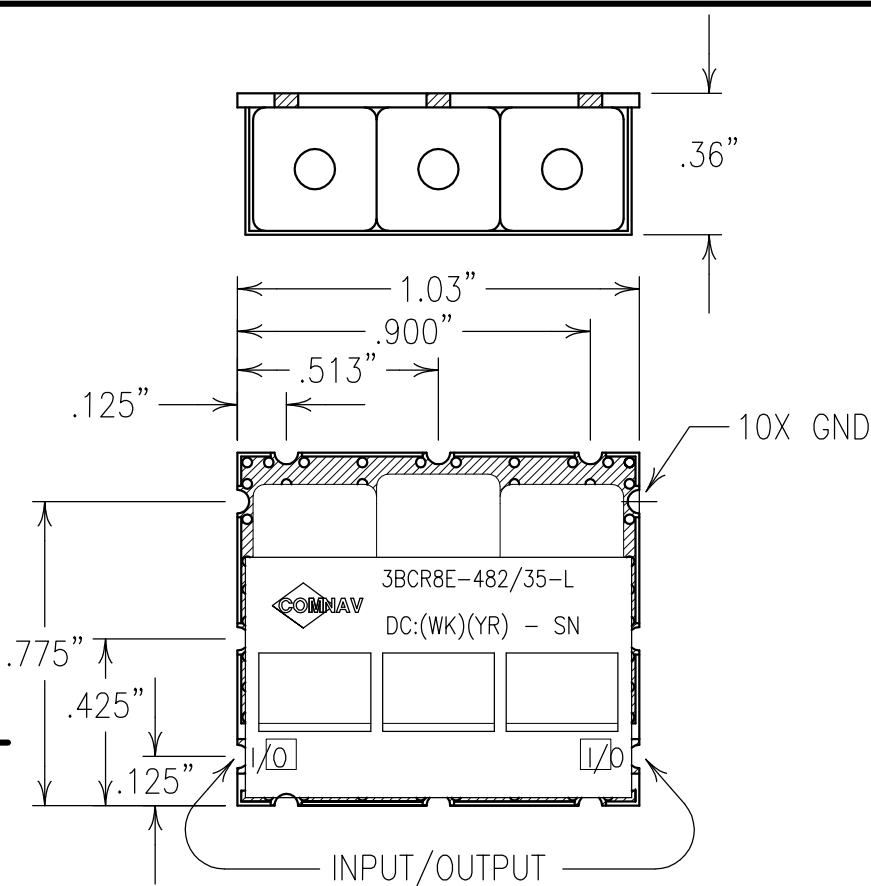
2

1

COPY

ELECTRICAL SPECIFICATIONS

PASSBAND FREQUENCY: 470 – 494 MHz
 PASSBAND ATTENUATION: 2.5 dB MAX.
 PASSBAND RIPPLE: 0.5 dB MAX.
 PASSBAND VSWR: 1.5:1 MAX.
 REJECTION: >70 dB @ 690 MHz
 >15 dB @ 512 MHz
 >15 dB @ 452 MHz
 OPERATING TEMP.: -30° TO +75°C
 IMPEDANCE: 50 Ohms IN/OUT
 POWER HANDLING: 25 Watts (at TX BANDS)



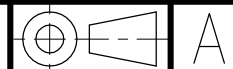
NOTES:

RECOMMENDED ATTACHMENT METHOD: SILVER EPOXY
 OR REFLOW NOT TO EXCEED AS INDICATED BELOW:

TEMP.(°C)	MAX.TIME(SEC)
215	90
230	60
245	30
260	15

FILTER MAY BE LABELED OR ETCHED.
 PART IS ROHS COMPLIANT.

Confidential and Proprietary information of ComNav Engineering Inc. Do Not Duplicate or Use Without Permission. ComNav Engineering Inc. claims Copyright in this document as of the Creation, last revision, and last updated dates. All Rights Reserved.



ENGLISH / METRIC		CHECKED BY					
ENGLISH		DRAWN BY		EEF			
TOLERANCES UNLESS OTHERWISE SPECIFIED		ENGINEER		II	20MAY09	KJR	DEV.
MACHINED SURFACES TO BE 125 / OR BETTER REMOVE ALL BURRS		KJR		REV	DATE	BY	DCN No.
ENGLISH (INCHES)		METRIC (MM)		APPLIC: CERAMIC COAXIAL FILTER			
.XX ±.02		.X ±.5		TITLE: 3BCR8E-482/35-L			
.XXX ±.010		.XX ±.25		DATE: 21MAY09			
ANGLES ± 0° 30'							



FINISH:
 BOARD: NICKEL/AU PLATED COPPER
 RESONATOR: SILVER
 JACKET: NICKEL/SILVER

DRAWING No. 0L1018
 SHEET OF 1 1