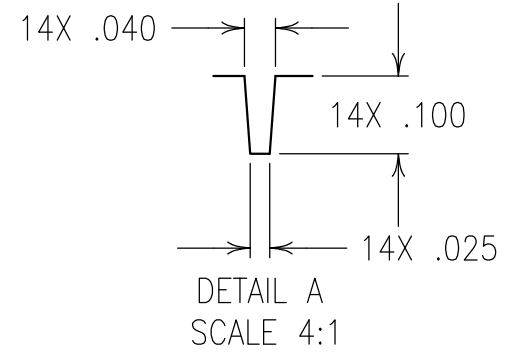


ELECTRICAL CHARACTERISTICS

CENTER FREQUENCY:	1730 MHz NOM.
BANDWIDTH:	100 MHz
PASSBAND FLATNESS:	0.5 dB / 50 MHz 1 dB / 100 MHz
GROUP DELAY:	4 NSEC PARABOLIC/100 MHz
REJECTION:	
	+/- 200 MHz: 60 dB
INSERTION LOSS:	6 dB MAX.
PASSBAND RETURN LOSS:	14 dB MIN.



COPY

NOTES:
 FILTER IS ROHS COMPLIANT.
 FILTER MAY BE LABELED OR ETCHED.
 FOR RECOMMENDED FOOTPRINT SEE FP0043.
 MAX REFLOW TEMP. 240°C FOR 30 SEC.,
 OR 260°C FOR 15 SEC.

Confidential and Proprietary information of ComNav Engineering Inc. Do Not Duplicate or Use Without Permission. ComNav Engineering Inc. claims Copyright in this document as of the Creation, last revision, and last updated dates. All Rights Reserved.							
ENGLISH / METRIC ENGLISH	CHECKED BY						
TOLERANCES UNLESS OTHERWISE SPECIFIED	DRAWN BY	EEF					
MACHINED SURFACES TO BE 125/ OR BETTER	ENGINEER	KJR	23APR09	KJR	DEV.	INI. ISS. PER 3046	
REMOVE ALL BURRS	REV		DATE	BY	DCN No.	REMARKS	
ENGLISH (INCHES) .XX ±.02 .XXX ±.010	METRIC (MM) .X ±.25 .XX ±.13	SCALE	APPLIC: CERAMIC COAXIAL FILTER				
ANGLES ± 0° 30'	DATE	23APR09		TITLE: 6BCR6B-1730/135-D			
		FINISH: JACKET: NI/SILVER RESONATOR: SILVER PINS: TIN PLATED BRASS				DRAWING No. 0L1013	
						SHEET OF 1 1	