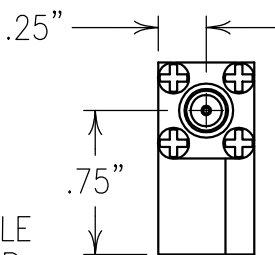
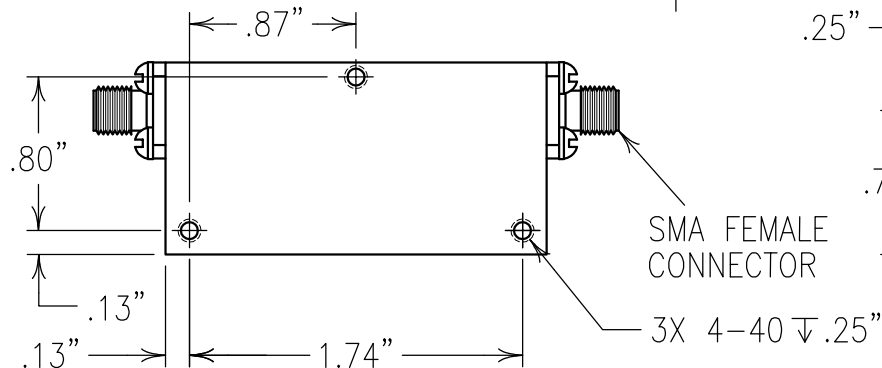
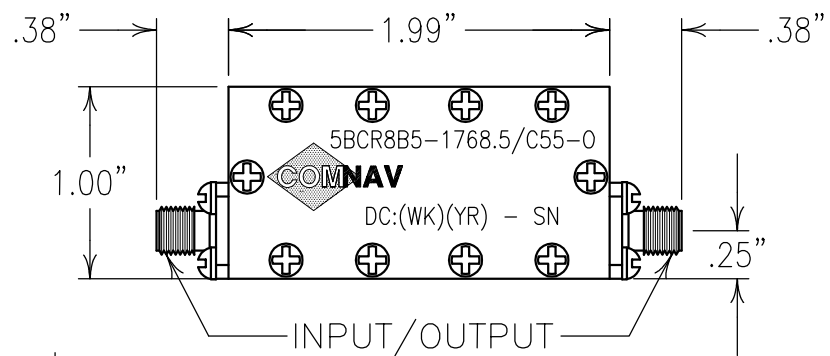


2

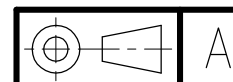
1



ELECTRICAL CHARACTERISTICS

CENTER FREQUENCY:	1768.5 MHz NOM
3 dB BANDWIDTH:	55 MHz NOM
PASSBAND:	1758.46-1778.54 MHz
PASSBAND LOSS:	<2.0 dB
PASSBAND FLATNESS:	<0.25 dB
PASSBAND VSWR:	<1.5:1
60 dBc REJECTION:	1698.5±3 MHz

**COPY**



Confidential and Proprietary information of ComNav Engineering Inc. Do Not Duplicate or Use Without Permission. ComNav Engineering Inc. claims Copyright in this document as of the Creation, last revision, and last updated dates. All Rights Reserved.

NOTES:  
 FILTER IS ROHS COMPLIANT.  
 FILTER MAY BE LABELED OR ETCHED.

ENGLISH / METRIC ENGLISH	CHECKED BY				
TOLERANCES UNLESS OTHERWISE SPECIFIED MACHINED SURFACES TO BE 125/10 OR BETTER REMOVE ALL BURRS	DRAWN BY PBF	A	29MAY09	KJR	DEV. GEN. REV. PER 3068
	ENGINEER KJR	II	13APR09	KJR	DEV. INI. ISS. PER 3034
		REV	DATE	BY	DCN No. REMARKS
ENGLISH (INCHES) .XX ±.02 .XXX ±.01	METRIC (MM) .X ±.5 .XX ±.25	SCALE 1:1	APPLIC: CERAMIC COAXIAL FILTER		
ANGLES ± 0° 30'	DATE 02JUN09	TITLE: 5BCR8B5-1768.5/C55-0			
COMNAV ENGINEERING INC	MATERIAL: COVER: ALUMINUM BASE: ALUMINUM	DRAWING No. OL1011		SHEET OF 1 1	
	FINISH: COVER: SILVER BASE: SILVER				