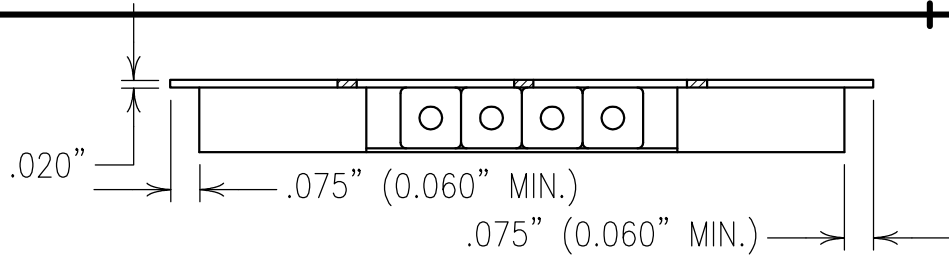
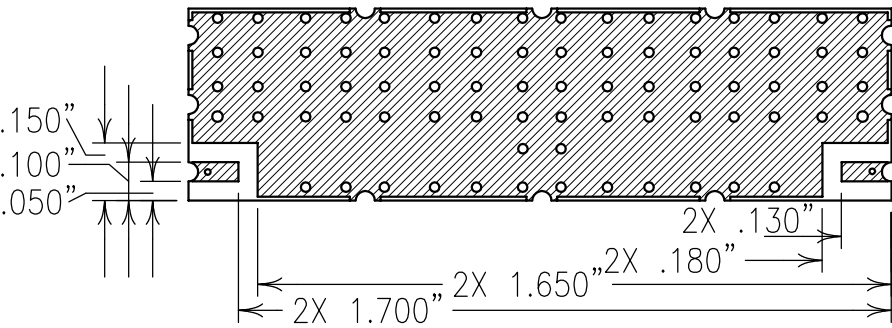
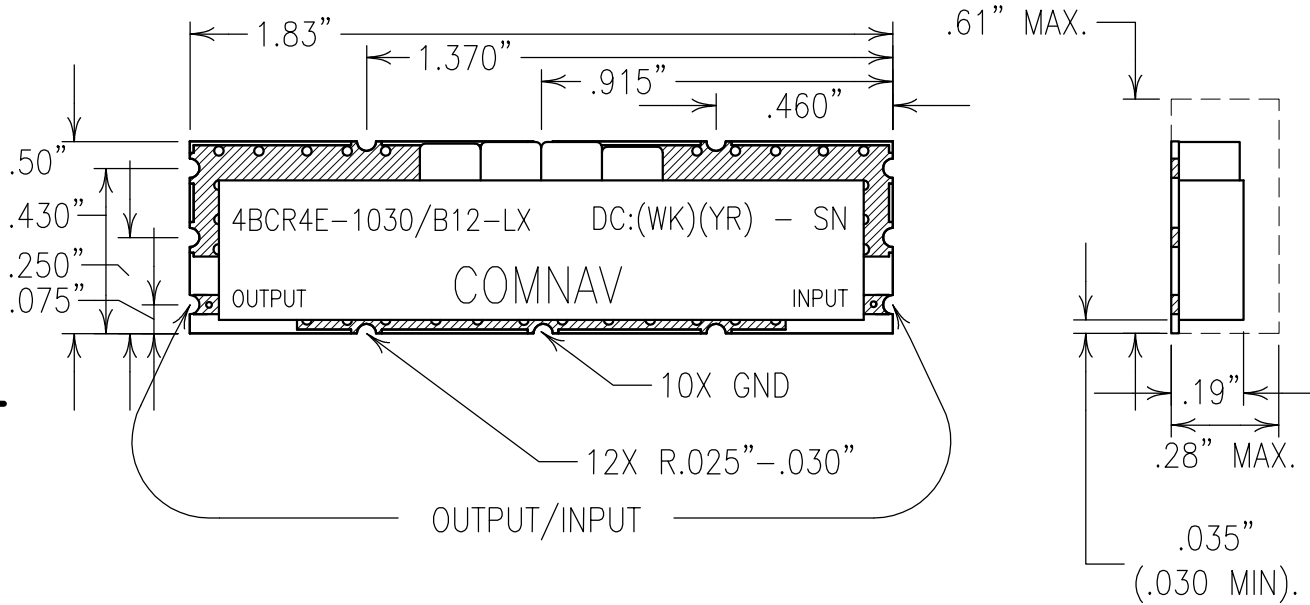


2

1



COPY



ELECTRICAL CHARACTERISTICS

CENTER FREQUENCY: 1030 MHz NOM
 3 dB PASSBAND: 10 MHz NOM
 PASSBAND: 1025-1035 MHz
 DELAY VARIATION: 5 ns
 PASSBAND LOSS: 7.0 dB max.
 PASSBAND VSWR: TYP. BESSEL RESP.
 REJECTION:
 980-1080 MHz: 40 dBc
 990-1070 MHz: 25 dBc
 1020-1040 MHz: 6 dBc
 1052 MHz: 18 dBc
 POWER HANDLING: 1 WATT MIN.
 OPERATING TEMP: -40° TO +85° C

B

NOTES:

RECOMMENDED ATTACHMENT METHOD:
 SILVER EPOXY
 OR REFLOW NOT TO EXCEED
 AS INDICATED BELOW:

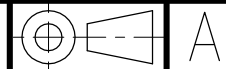
TEMP.(°C)	MAX.TIME(SEC)
215	90
230	60
245	30
260	15

FILTER IS ROHS COMPLIANT.
 FILTER MAY BE ETCHED OR LABELED.



COPPER

Confidential and Proprietary information of ComNav Engineering Inc. Do Not Duplicate or Use Without Permission. ComNav Engineering Inc. claims Copyright in this document as of the Creation, last revision, and last updated dates. All Rights Reserved.



ENGLISH / METRIC ENGLISH	CHECKED BY					
TOLERANCES UNLESS OTHERWISE SPECIFIED MACHINED SURFACES TO BE 125 OR BETTER REMOVE ALL BURRS	DRAWN BY EEF	A	12MAY09	KJR	DEV.	GEN. REV. PER 3054
	ENGINEER KJR	II	30MAR09	KJR	DEV.	INI. ISS. PER 3030
		REV	DATE	BY	DCN No.	REMARKS
ENGLISH (INCHES) .XX ±.02 .XXX ±.010	METRIC (MM) .X ±.25 .XX ±.13	SCALE 2:1	APPLIC: CERAMIC COAXIAL FILTER			
ANGLES ± 0° 30'	DATE 20MAY09	TITLE: 4BCR4E-1030/B12-LX				

A



FINISH: BOARD: NI/AU PLATED COPPER
 JACKET: NI/SILVER
 RESONATOR: SILVER

DRAWING No.
 OL1008

SHEET OF
 1 1