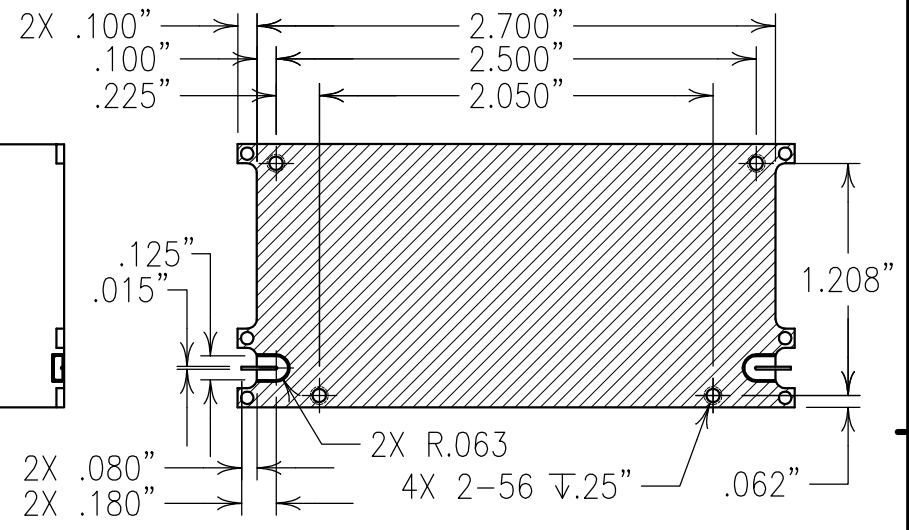
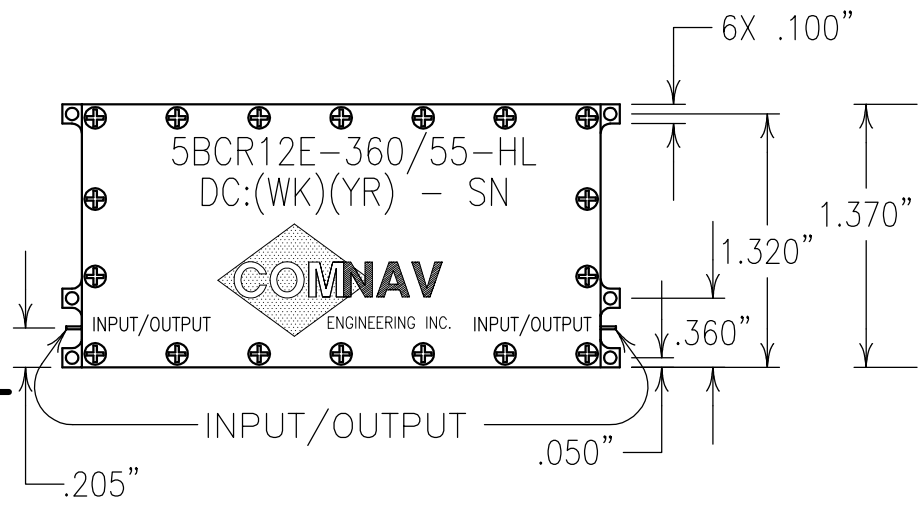
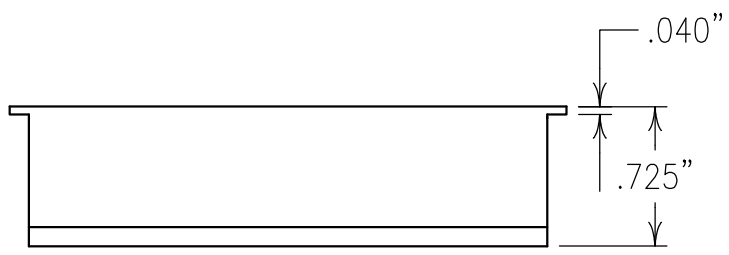


2

1

ELECTRICAL CHARACTERISTICS	
CENTER FREQUENCY:	360 MHz
3 dB BANDWIDTH:	55 MHz NOM
PASSBAND:	340-380 MHz
PASSBAND VSWR:	1.2:1 MAX
PASSBAND LOSS:	<0.6 dB
PASSBAND FLATNESS:	0.25 dB
20 dBc REJECTION:	240-320 MHz



GROUND

**COPY**

NOTES:

FILTER IS ROHS COMPLIANT.  
FILTER MAY BE ETCHED OR LABELED.

Confidential and Proprietary information of ComNav Engineering Inc. Do Not Duplicate or Use Without Permission. ComNav Engineering Inc. claims Copyright in this document as of the Creation, last revision, and last updated dates. All Rights Reserved.							A
ENGLISH / METRIC	CHECKED BY						
ENGLISH	DRAWN BY	PBF					
TOLERANCES UNLESS OTHERWISE SPECIFIED MACHINED SURFACES TO BE 125 OR BETTER REMOVE ALL BURRS	ENGINEER	KJR	13MAR09	KJR	DEV.	INI. ISS. PER 3027	
	REV		DATE	BY	DCN No.	REMARKS	
ENGLISH (INCHES)	METRIC (MM)	SCALE	APPLIC: CERAMIC COAXIAL FILTER				
.XX ±.02 .XXX ±.010	.X ±.25 .XX ±.13	1:1	TITLE: 5BCR12E-360/55-HL				
ANGLES ± 0° 30'	DATE	24MAR09					
	MATERIAL: ALUMINUM	DRAWING No.			SHEET OF		
	FINISH: SILVER	0L1007			1 1		