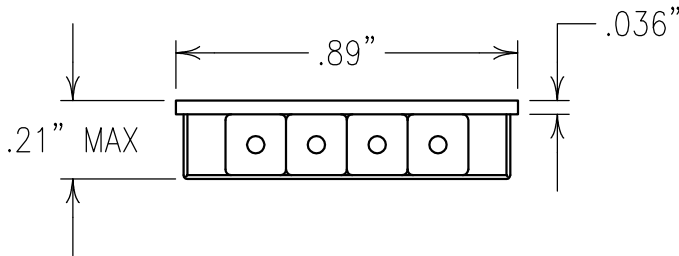


2

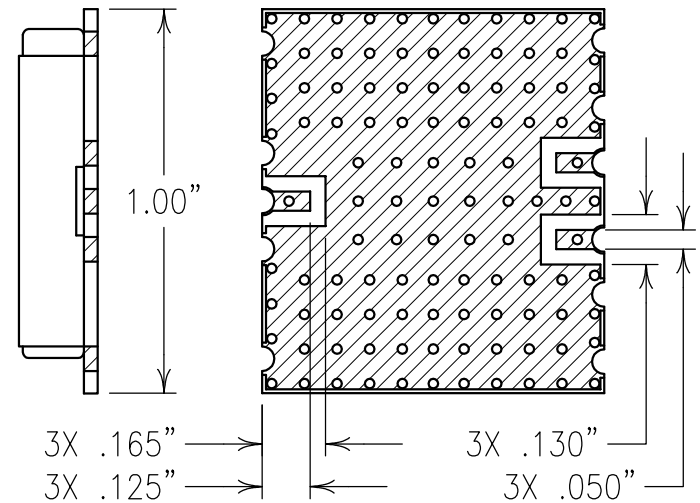
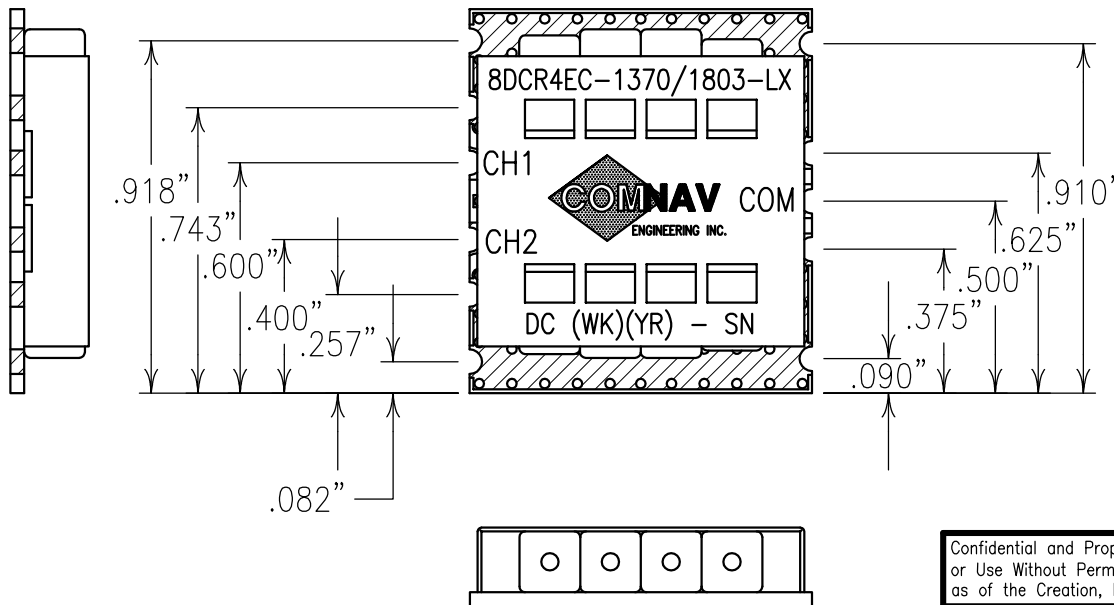
1

COPY



ELECTRICAL CHARACTERISTICS		
	CH1	CH2
CENTER FREQUENCY:	1370 MHz	1802.5 MHz
3 dB BANDWIDTH:	75 MHz NOM.	125 MHz NOM.
PASSBAND:	1350-1390 MHz	1755-1850 MHz
VSWR:	1.4:1	1.4:1
LOSS:	<1.5 dB	<1.5 dB
REJECTION:		
42 dBc MIN:	DC-1250 MHz	DC-1600 MHz
45 dBc MIN:	1550-3700 MHz	2100-3700 MHz
POWER HANDLING:	20 WATTS PK, 6 WATTS	

B



NOTES:

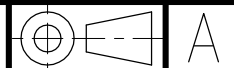
RECOMMENDED ATTACHMENT METHOD: SILVER EPOXY OR REFLOW NOT TO EXCEED AS INDICATED BELOW:

TEMP.(°C) MAX.TIME(SEC)

215	90
230	60
245	30
260	15

FILTER IS ROHS COMPLIANT.
FILTER MAY BE ETCHED OR LABELED.

Confidential and Proprietary information of ComNav Engineering Inc. Do Not Duplicate or Use Without Permission. ComNav Engineering Inc. claims Copyright in this document as of the Creation, last revision, and last updated dates. All Rights Reserved.



ENGLISH / METRIC CHECKED BY						
ENGLISH						
TOLERANCES UNLESS OTHERWISE SPECIFIED	DRAWN BY	A	6APR09	KJR	DEV.	GEN. REV. PER 3035
MACHINED SURFACES TO BE 125 / OR BETTER REMOVE ALL BURRS	ENGINEER	II	11MAR09	KJR	DEV.	INI. ISS. PER 3026
	KJR	REV	DATE	BY	DCN No.	REMARKS
ENGLISH (INCHES)	METRIC (MM)	SCALE	APPLIC: CERAMIC COAXIAL FILTER			
.XX ±.02	.X ±.25	2:1				
.XXX ±.010	.XX ±.13	DATE	TITLE: 8DCR4EC-1370/1803-LX			
ANGLES ± 0° 30'		19MAY09				
FINISH: BOARD: NI/AU PLATED COPPER		DRAWING No.		SHEET OF		
JACKET: NI/SILVER		OL1006		1 1		
RESONATOR: SILVER						

A

