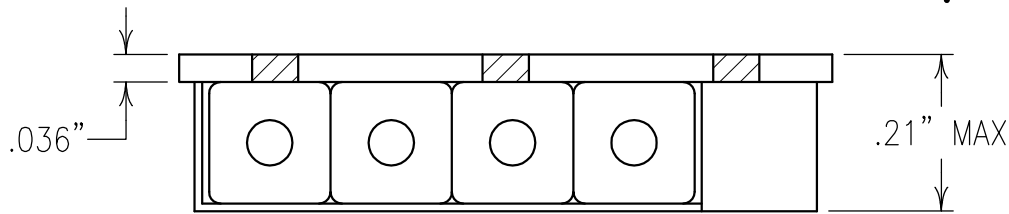


2



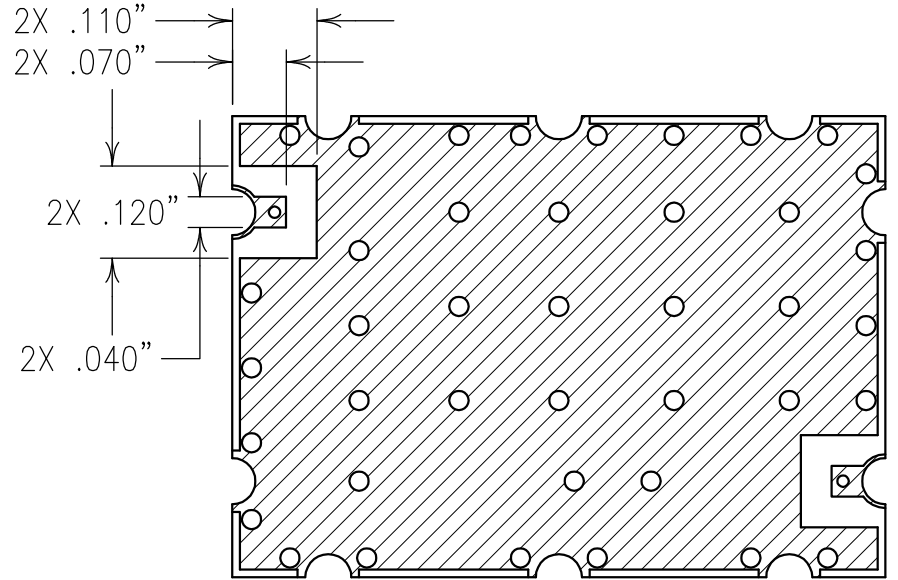
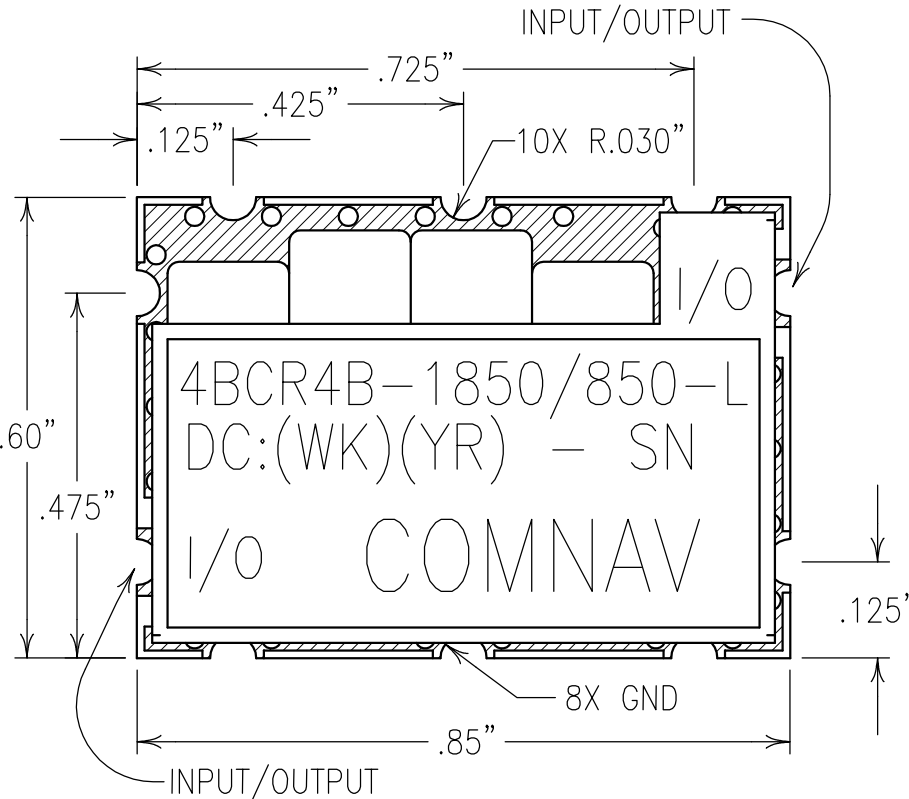
COPY

1

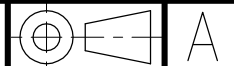
ELECTRICAL CHARACTERISTICS

CENTER FREQUENCY: 1850 MHz NOM
 3 dB PASSBAND: 850 MHz NOM
 PASSBAND: 1500-2200 MHz
 PASSBAND LOSS: <1.0 dB
 PASSBAND VSWR: <1.7:1
 REJECTION:
 DC-1125 MHz: 30 dBc
 2675-5000 MHz: 30 dBc

B



Confidential and Proprietary information of ComNav Engineering Inc. Do Not Duplicate or Use Without Permission. ComNav Engineering Inc. claims Copyright in this document as of the Creation, last revision, and last updated dates. All Rights Reserved.



NOTES:

RECOMMENDED ATTACHMENT METHOD: SILVER EPOXY OR REFLOW NOT TO EXCEED AS INDICATED BELOW:

TEMP.(°C)	MAX.TIME(SEC)
215	90
230	60
245	30
260	15

FILTER IS ROHS COMPLIANT.
 FILTER MAY BE ETCHED OR LABELED.

ENGLISH / METRIC ENGLISH	CHECKED BY				
TOLERANCES UNLESS OTHERWISE SPECIFIED MACHINED SURFACES TO BE 125 OR BETTER REMOVE ALL BURRS	DRAWN BY PBF	II	25FEB09	KJR	DEV. INI. ISS. PER 3023
	ENGINEER KJR	REV	DATE	BY	DCN No. REMARKS
ENGLISH (INCHES) .XX ±.02 .XXX ±.010	METRIC (MM) .X ±.25 .XX ±.13	SCALE 4:1	APPLIC: CERAMIC\LC COAXIAL FILTER		
ANGLES ± 0° 30'	DATE 06MAR09	TITLE: 4BCR4B-1850/850-L			
	FINISH: BOARD: NI/AU PLATED COPPER JACKET: NI/SILVER RESONATOR: SILVER	DRAWING No. OL1001		SHEET OF 1 1	

A