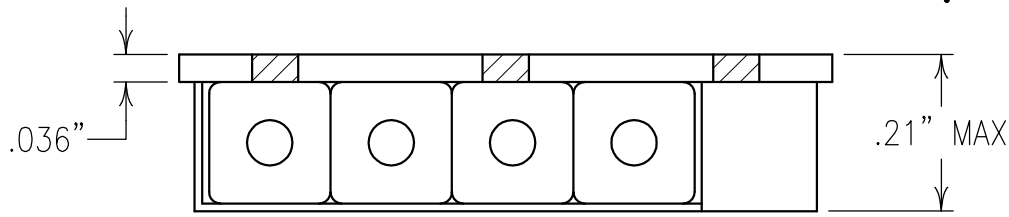


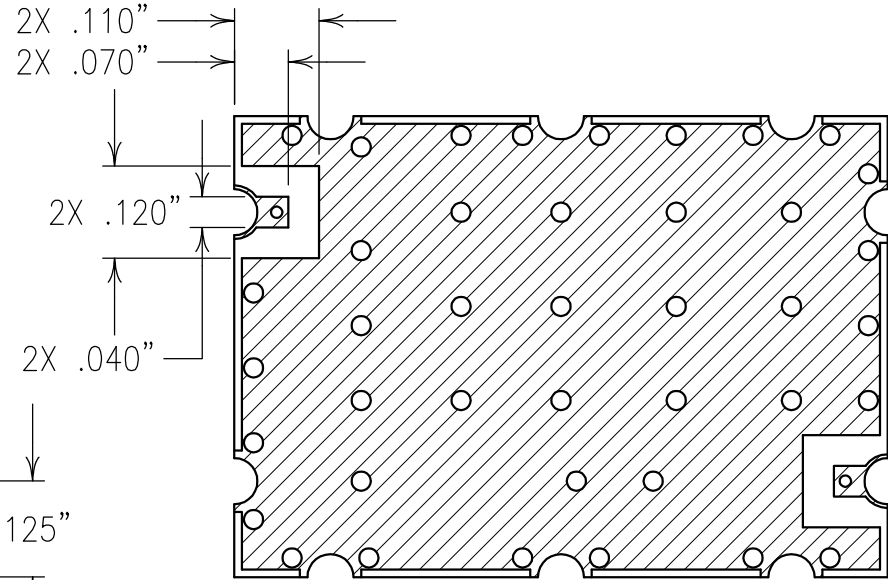
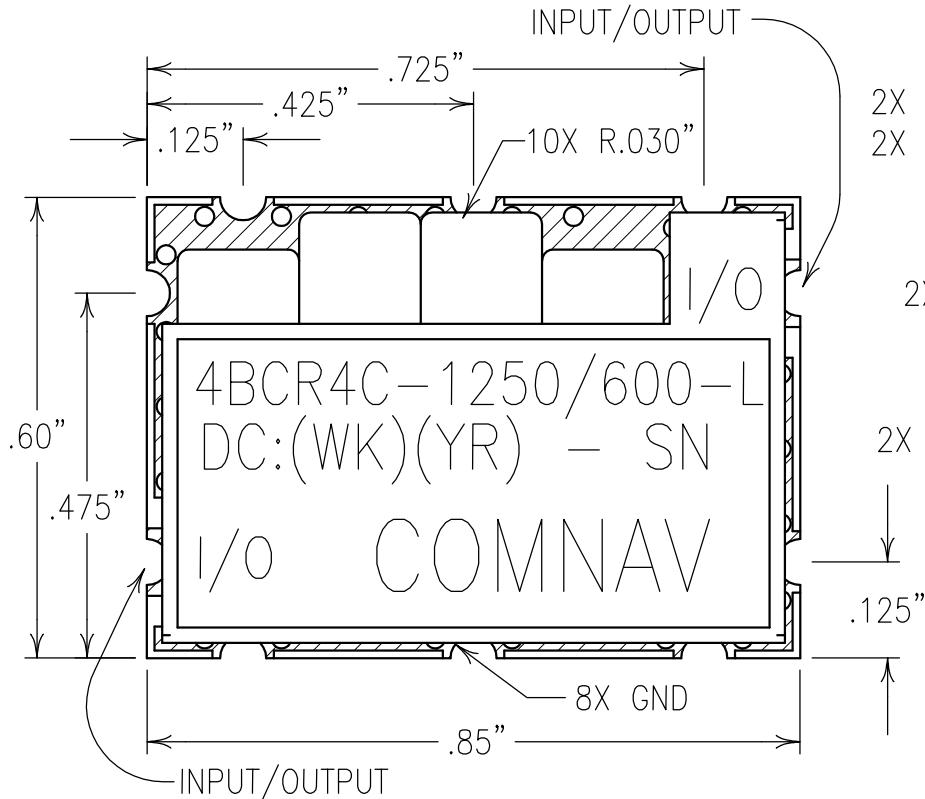
2

1

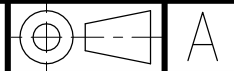


ELECTRICAL CHARACTERISTICS	
CENTER FREQUENCY:	1250 MHz NOM
3 dB PASSBAND:	600 MHz NOM
PASSBAND:	1000-1500 MHz
PASSBAND LOSS:	<1.0 dB
PASSBAND VSWR:	<1.7:1
REJECTION:	
DC-750 MHz:	30 dBc
1850-5000 MHz:	30 dBc

COPY



Confidential and Proprietary information of ComNav Engineering Inc. Do Not Duplicate or Use Without Permission. ComNav Engineering Inc. claims Copyright in this document as of the Creation, last revision, and last updated dates. All Rights Reserved.



NOTES:

RECOMMENDED ATTACHMENT METHOD: SILVER EPOXY OR REFLOW NOT TO EXCEED AS INDICATED BELOW:

TEMP.(°C)	MAX.TIME(SEC)
215	90
230	60
245	30
260	15

FILTER IS ROHS COMPLIANT.
FILTER MAY BE ETCHED OR LABELED.

ENGLISH / METRIC ENGLISH	CHECKED BY				
TOLERANCES UNLESS OTHERWISE SPECIFIED MACHINED SURFACES TO BE 125 / OR BETTER REMOVE ALL BURRS	DRAWN BY PBF	II	25FEB09	KJR	DEV.
	ENGINEER KJR	REV	DATE	BY	DCN No.
ENGLISH (INCHES) .XX ±.02 .XXX ±.010	METRIC (MM) .X ±.25 .XX ±.13	SCALE 4:1	APPLIC: CERAMIC\LC COAXIAL FILTER		
ANGLES ± 0' 30'	DATE 06MAR09	TITLE: 4BCR4C-1250/600-L			
	FINISH: BOARD: NI/AU PLATED COPPER JACKET: NI/SILVER RESONATOR: SILVER	DRAWING No. OL1000		SHEET OF 1 1	