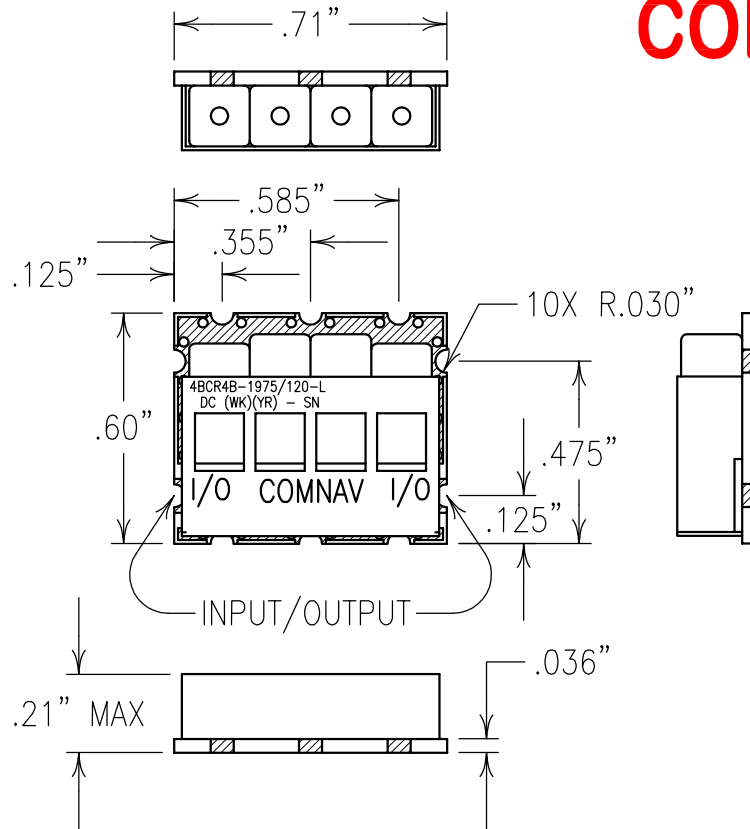
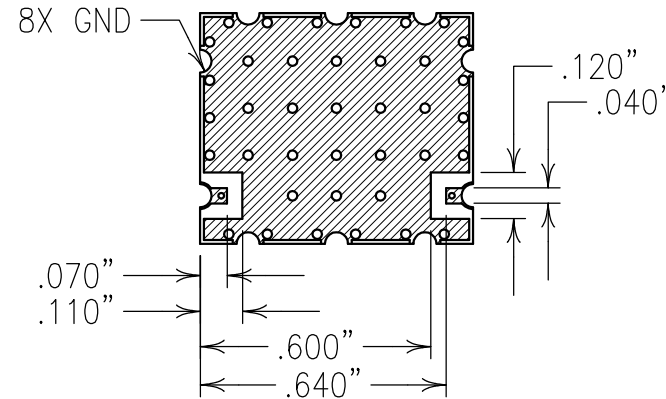


**COPY**

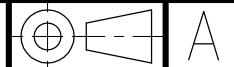


**ELECTRICAL CHARACTERISTICS**

CENTER FREQUENCY:	1975 MHz
LOWER 1/2 dBc CORNER:	1938 MAX
UPPER 1/2 dBc CORNER:	2012 MIN
REJECTION:	
DC-1745 MHz:	40 dBc MIN
1850 MHz:	20 dBc MIN
2100 MHz:	20 dBc MIN
2205-2250 MHz:	40 dBc MIN
2251-4900 MHz:	26 dBc MIN
4901-6425 MHz:	26 dBc GOAL
PASSBAND RIPPLE:	±0.25 dB MAX
AROUND INSERTION LOSS	
INSERTION LOSS:	3.0 dB MAX
INPUT/OUTPUT RETURN LOSS:	
15 dB MIN @ 1952-1998 MHz	



Confidential and Proprietary information of ComNav Engineering Inc. Do Not Duplicate or Use Without Permission. ComNav Engineering Inc. claims Copyright in this document as of the Creation, last revision, and last updated dates. All Rights Reserved.



**NOTES:**  
 NO TIN PLATING UNDER SOLDER MASK.  
 RECOMMENDED ATTACHMENT METHOD: SILVER EPOXY OR REFLOW NOT TO EXCEED AS INDICATED BELOW:  
 TEMP.(°C) MAX.TIME(SEC)

215	90
230	60
245	30
260	15

FILTER IS ROHS COMPLIANT.  
 FILTER MAY BE ETCHED OR LABELED.

ENGLISH / METRIC CHECKED BY					
ENGLISH					
TOLERANCES UNLESS OTHERWISE SPECIFIED		DRAWN BY			
MACHINED SURFACES TO BE 125 / OR BETTER		PBF			
REMOVE ALL BURRS		ENGINEER	II	20FEB09	KJR
		KJR	REV	DATE	BY
					DCN No.
					DEV.
					INI. ISS. PER 3021
					REMARKS
ENGLISH (INCHES)	METRIC (MM)	SCALE			
.XX ±.02	.X ±.25	2:1			
.XXX ±.010	.XX ±.13	APPLIC:			
ANGLES ± 0° 30'		CERAMIC COAXIAL FILTER			
		DATE	TITLE:		
		06MAR09	4BCR4B-1975/120-L		
		FINISH: BOARD: NI/AU PLATED COPPER		DRAWING No.	
		JACKET: NI/SILVER		010996	
		RESONATOR: SILVER		SHEET OF	
				1 1	