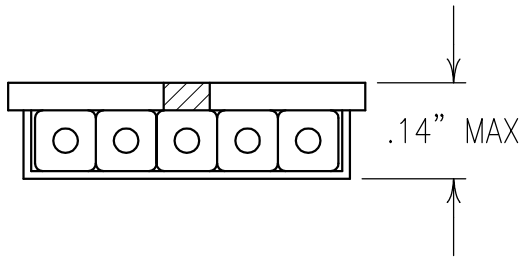


2

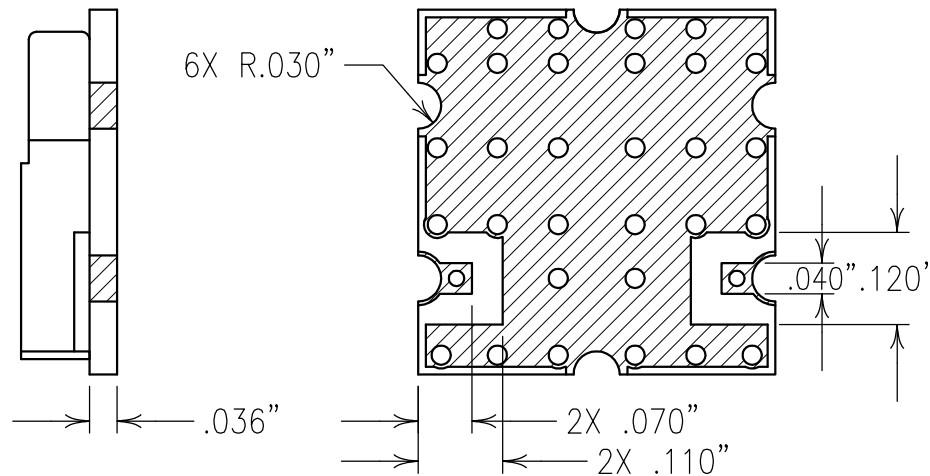
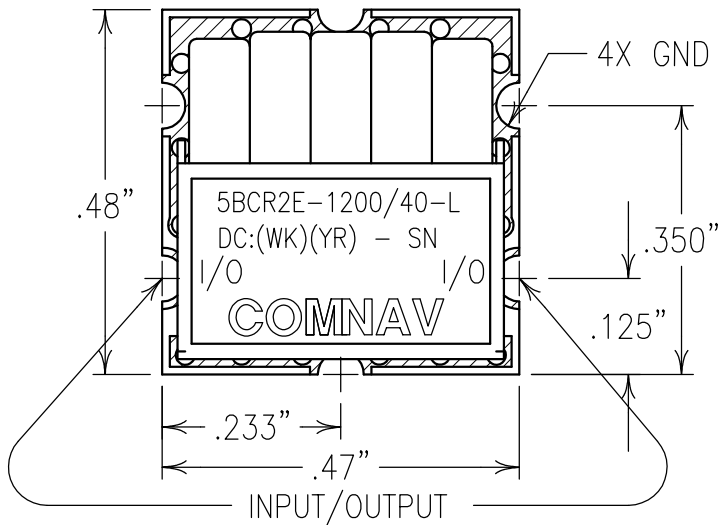
1



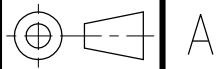
COPY

ELECTRICAL CHARACTERISTICS

CENTER FREQUENCY: 1200 MHz
 3 dB BANDWIDTH: 40 MHz NOM
 INSERTION LOSS: 5.25 dB MAX @ FO
 VSWR: 1.5:1 TYP
 REJECTION:
 60 dBc MIN @ FO±100 MHz



Confidential and Proprietary information of ComNav Engineering Inc. Do Not Duplicate or Use Without Permission. ComNav Engineering Inc. claims Copyright in this document as of the Creation, last revision, and last updated dates. All Rights Reserved.



NOTES:

RECOMMENDED ATTACHMENT METHOD: SILVER EPOXY
 OR REFLOW NOT TO EXCEED AS INDICATED BELOW:

TEMP.(°C)	MAX.TIME(SEC)
215	90
230	60
245	30
260	15

FILTER IS ROHS COMPLIANT.
 FILTER MAY BE ETCHED OR LABELED.

ENGLISH / METRIC ENGLISH	CHECKED BY				
TOLERANCES UNLESS OTHERWISE SPECIFIED	DRAWN BY PBF				
MACHINED SURFACES TO BE 125 / OR BETTER	ENGINEER KJR	II	10FEB09	KJR	DEV.
REMOVE ALL BURRS	REV	DATE	BY	DCN No.	REMARKS
ENGLISH (INCHES)	METRIC (MM)	SCALE 4:1	APPLIC: CERAMIC COAXIAL FILTER		
.XX ±.01 .XXX ±.005	.X ±.2 .XX ±.13	DATE 11FEB09	TITLE: 5BCR2E-1200/40-L		
ANGLES ± 0° 30'	FINISH: BOARD: NICKEL/GOLD JACKET: NICKEL/SILVER RESONATOR: SILVER		DRAWING No. 0L0988		SHEET OF 1 1