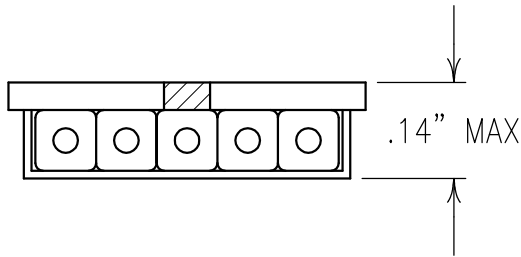


2

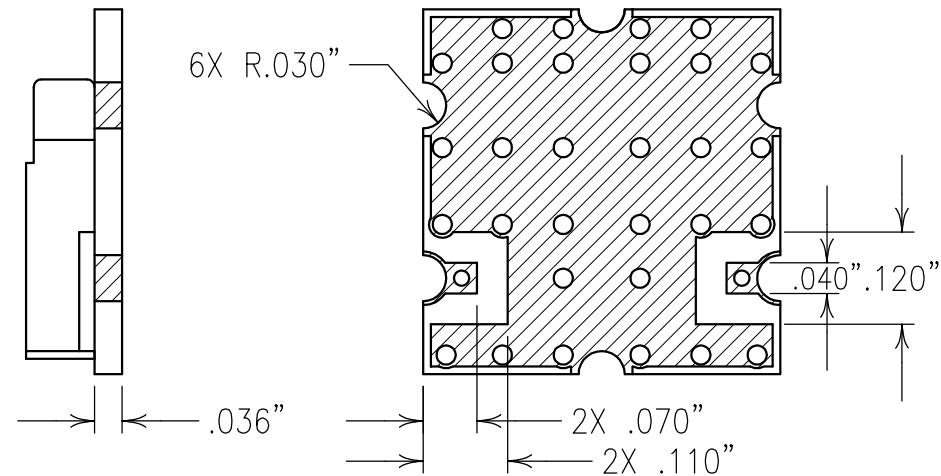
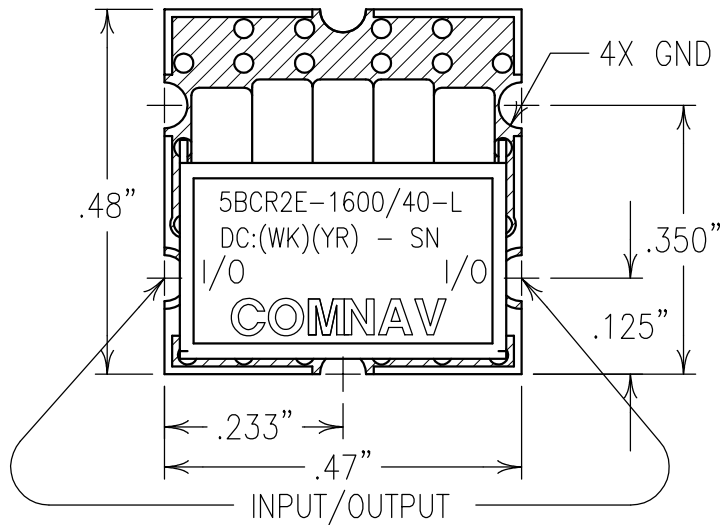
1



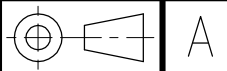
**COPY**

### ELECTRICAL CHARACTERISTICS

CENTER FREQUENCY: 1600 MHz  
 3 dB BANDWIDTH: 40 MHz NOM  
 INSERTION LOSS: 5.25 dB MAX @ FO  
 VSWR: 1.5:1 TYP  
 REJECTION:  
 60 dBc MIN @ FO±100 MHz



Confidential and Proprietary information of ComNav Engineering Inc. Do Not Duplicate or Use Without Permission. ComNav Engineering Inc. claims Copyright in this document as of the Creation, last revision, and last updated dates. All Rights Reserved.



#### NOTES:

RECOMMENDED ATTACHMENT METHOD: SILVER EPOXY OR REFLOW NOT TO EXCEED AS INDICATED BELOW:

TEMP.(°C)	MAX.TIME(SEC)
215	90
230	60
245	30
260	15

FILTER IS ROHS COMPLIANT.  
 FILTER MAY BE ETCHED OR LABELED.

ENGLISH / METRIC ENGLISH		CHECKED BY							
TOLERANCES UNLESS OTHERWISE SPECIFIED		DRAWN BY							
MACHINED SURFACES TO BE 125 OR BETTER		ENGINEER				II	10FEB09	KJR	DEV.
REMOVE ALL BURRS		KJR				REV	DATE	BY	DCN No.
ENGLISH (INCHES)	METRIC (MM)	SCALE		APPLIC:					
.XX ±.01	.X ±.2	4:1		CERAMIC COAXIAL FILTER					
.XXX ±.005	.XX ±.13	DATE		TITLE:					
ANGLES ± 0° 30'		11FEB09		5BCR2E-1600/40-L					
FINISH: BOARD: NICKEL/GOLD JACKET: NICKEL/SILVER RESONATOR: SILVER		DRAWING No.				SHEET OF			
		0L0987				1 1			