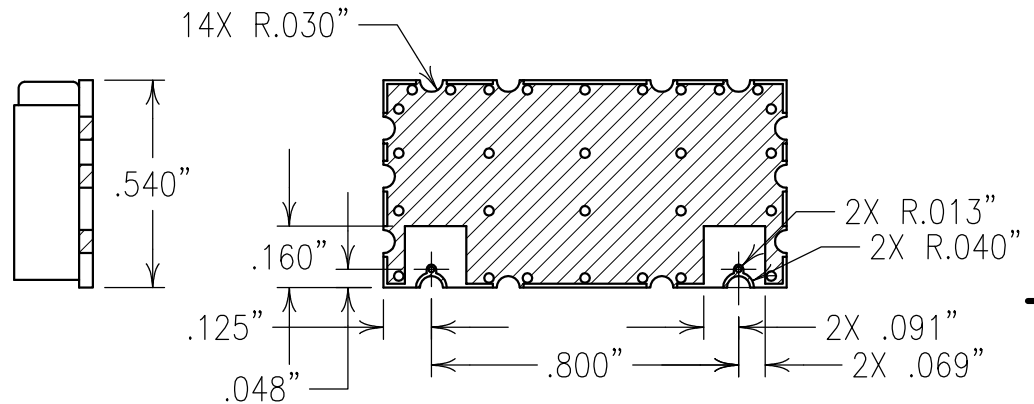
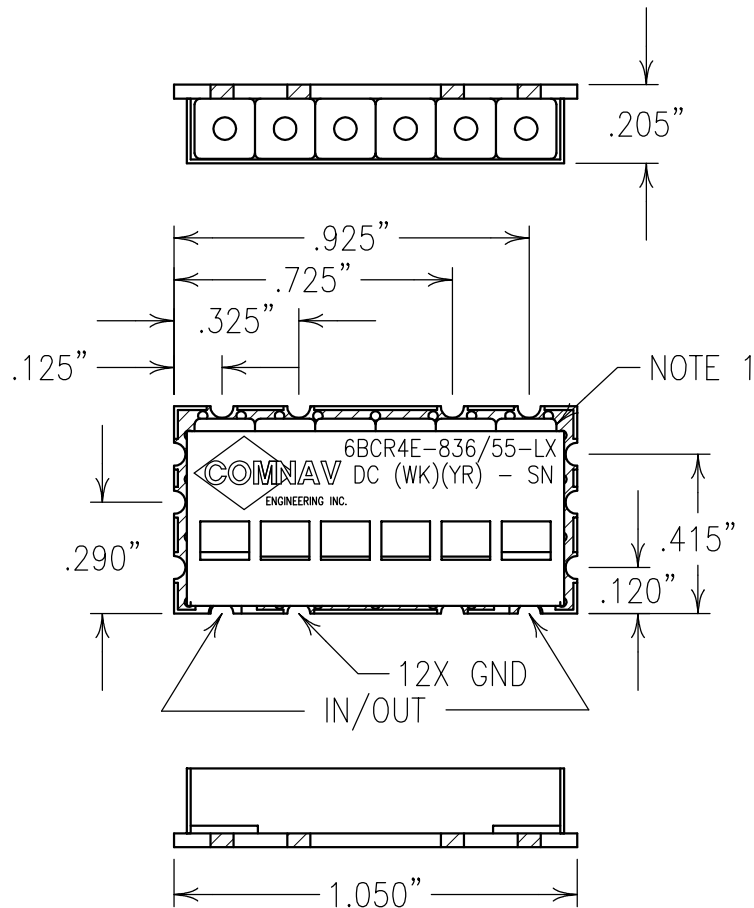


COPY

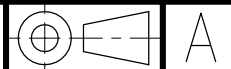
ELECTRICAL CHARACTERISTICS

CENTER FREQUENCY: 836 MHz
 3 dB BANDWIDTH: 55 MHz NOM
 PASSBAND: 816-856 MHz
 PASSBAND FLATNESS: <1.0 dB MAX
 PASSBAND RIPPLE: 0.1 dB PK TO PK MAX
 PASSBAND VSWR: <1.5:1 MAX
 INSERTION LOSS: <4.0 dB MAX @ F0
 REJECTION:
 70 dBc MIN*: 976 MHz
 *DESIGN TO MEET 60 dBc GUARANTEED.



☐ COPPER

Confidential and Proprietary information of ComNav Engineering Inc. Do Not Duplicate or Use Without Permission. ComNav Engineering Inc. claims Copyright in this document as of the Creation, last revision, and last updated dates. All Rights Reserved.



NOTES:

1) CERAMIC MAY NOT HANG OVER THE BOARD.

RECOMMENDED ATTACHMENT METHOD: SILVER EPOXY OR REFLOW NOT TO EXCEED AS INDICATED BELOW:

TEMP.(°C) MAX.TIME(SEC)

215	90	RECOMMENDED FOOTPRINT: FP0092.
230	60	
245	30	FILTER MAY BE ETCHED OR LABELED
260	15	FILTER IS ROHS COMPLIANT

ENGLISH / METRIC ENGLISH		CHECKED BY					
TOLERANCES UNLESS OTHERWISE SPECIFIED		DRAWN BY					
MACHINED SURFACES TO BE 125 / OR BETTER REMOVE ALL BURRS		PBF		II	09FEB09	KJR	DEV. INI. ISS. PER 3013
		ENGINEER		REV	DATE	BY	DCN No. REMARKS
ENGLISH (INCHES)		METRIC (MM)		SCALE		APPLIC: CERAMIC COAXIAL FILTER	
.XX ±.02 .XXX ±.010		.X ±.25 .XX ±.13		DATE		TITLE: 6BCR4E-836/55-LX	
ANGLES ± 0° 30'		10FEB09		FINISH:		DRAWING No. SHEET OF	
		BOARD: NI/AU PLATED COPPER JACKET: NI/SILVER RESONATOR: SILVER		0L0984		1 1	