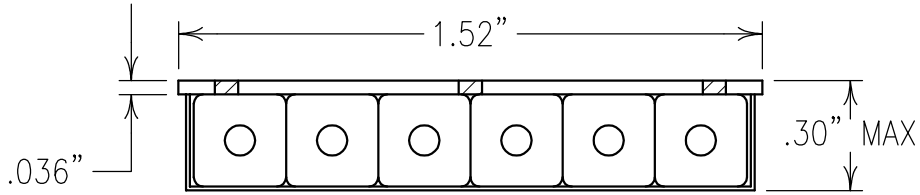


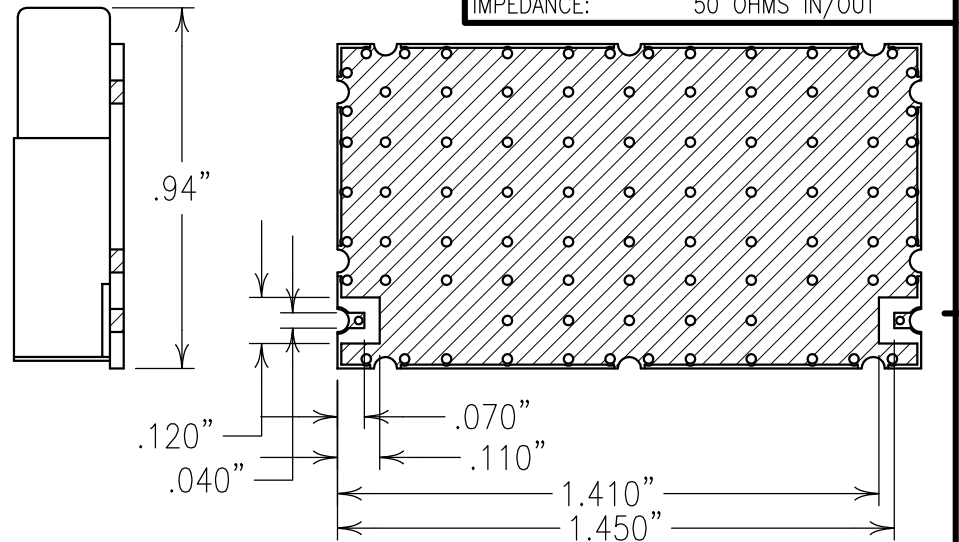
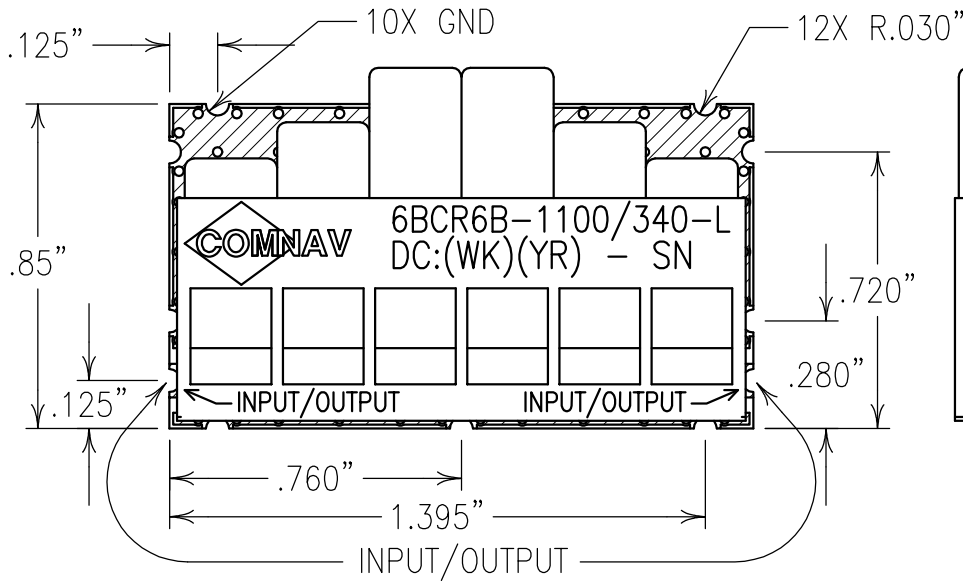
2

1

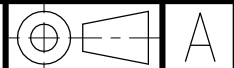


COPY

ELECTRICAL SPECIFICATIONS	
CENTER FREQUENCY:	1100 MHz
PASSBAND:	960-1240 MHz
INSERTION LOSS:	1.0 dB MAX
PASSBAND RIPPLE:	0.1 dB MAX OVER ANY 5 MHz WITHIN 960-1240 MHz
GROUP DELAY VAR.:	2 nSEC PTP MAX OVER ANY 5 MHz WITHIN 960-1240 MHz
PASSBAND VSWR:	1.5:1
ATTENUATION:	
DC-700 MHz:	50 dBc MIN
800, 1400 MHz:	30 dBc MIN
1650-2500 MHz:	50 dBc MIN
POWER:	30 WATTS
TEMP. RANGE:	-40 TO +85°C
IMPEDANCE:	50 OHMS IN/OUT



Confidential and Proprietary information of ComNav Engineering Inc. Do Not Duplicate or Use Without Permission. ComNav Engineering Inc. claims Copyright in this document as of the Creation, last revision, and last updated dates. All Rights Reserved.



NOTES:

RECOMMENDED ATTACHMENT METHOD: SILVER EPOXY OR REFLOW NOT TO EXCEED AS INDICATED BELOW:

TEMP.(°C)	MAX.TIME(SEC)
215	90
230	60
245	30
260	15

FILTER IS ROHS COMPLIANT.
FILTER MAY BE LABELED OR ETCHED.

ENGLISH / METRIC ENGLISH	CHECKED BY					
TOLERANCES UNLESS OTHERWISE SPECIFIED	DRAWN BY					
MACHINED SURFACES TO BE 125/100 OR BETTER REMOVE ALL BURRS	ENGINEER	II	28JAN09	KJR	DEV.	INI. ISS. PER 3002
ENGLISH (INCHES)	METRIC (MM)	SCALE	APPLIC: CERAMIC COAXIAL FILTER			
.XX ±.02 .XXX ±.010	.X ±.5 .XX ±.25	2:1	TITLE: 6BCR6B-1100/340-L			
ANGLES ± 0° 30'	DATE	04MAR09	DRAWING No. 0L0979			
COMNAV ENGINEERING INC	FINISH: BOARD: (ELECTROLESS NICKEL/IMMERSION GOLD) 150±50 MICROINCHES NICKEL, 2-10 MICROINCHES GOLD JACKET: NICKEL/SILVER RESONATOR: SILVER				SHEET OF 1 1	