

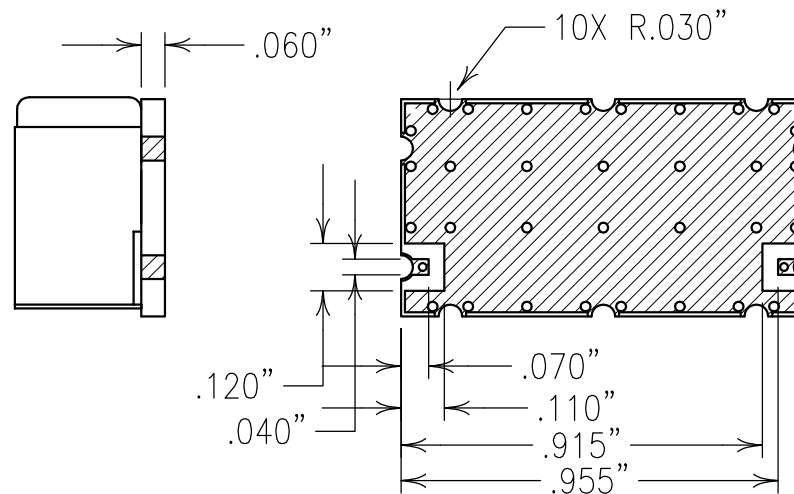
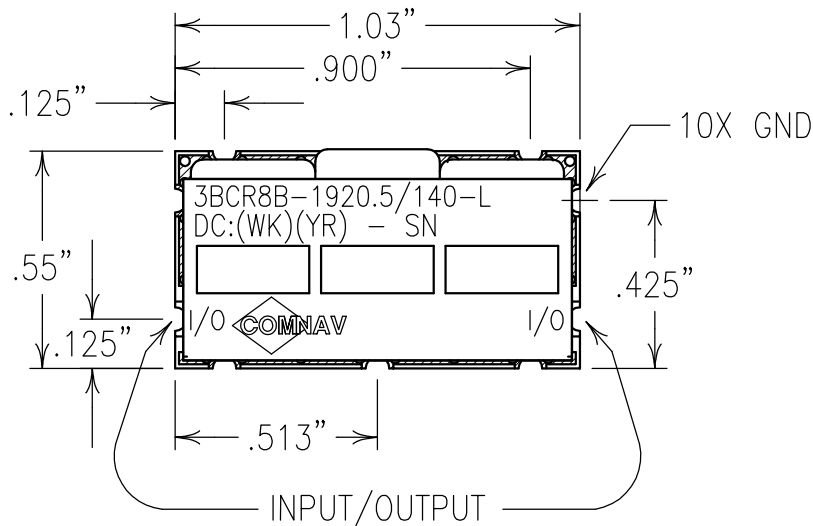
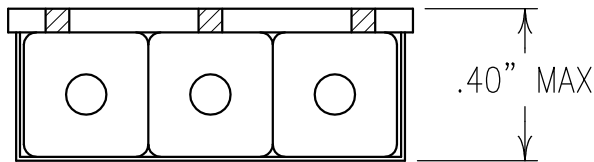
2

1

ELECTRICAL SPECIFICATIONS

CENTER FREQUENCY: 1920.5 MHz
 PASSBAND: 1902.5-1938.5 MHz
 PB INSERTION LOSS: 0.5 dB MAX
 PB RETURN LOSS: >20 dB
 REJECTION:
 40 dB MIN @ 2540 MHz

COPY



NOTES:

RECOMMENDED ATTACHMENT METHOD: SILVER EPOXY OR REFLOW NOT TO EXCEED AS INDICATED BELOW:

TEMP.(°C)	MAX.TIME(SEC)
215	90
230	60
245	30
260	15

FILTER MAY BE LABELED OR ETCHED.
 PART IS ROHS COMPLIANT.

Confidential and Proprietary information of ComNav Engineering Inc. Do Not Duplicate or Use Without Permission. ComNav Engineering Inc. claims Copyright in this document as of the Creation, last revision, and last updated dates. All Rights Reserved.							
ENGLISH / METRIC ENGLISH		CHECKED BY					
TOLERANCES UNLESS OTHERWISE SPECIFIED		DRAWN BY		II		08NOV08	
MACHINED SURFACES TO BE 125 OR BETTER		ENGINEER		KJR		DEV.	
REMOVE ALL BURRS		REV		DATE		BY DCN No.	
ENGLISH (INCHES)		METRIC (MM)		SCALE		APPLIC:	
.XX ±.02		.X ±.5		2:1		CERAMIC COAXIAL FILTER	
.XXX ±.010		.XX ±.25		DATE		TITLE:	
ANGLES ± 0° 30'		22JAN09				3BCR8B-1920.5/140-L	
						FINISH:	
						BOARD: NICKEL/GOLD	
						RESONATOR: SILVER	
						JACKET: NICKEL/SILVER	
						DRAWING No.	
						0L0975	
						SHEET OF	
						1 1	

B

A