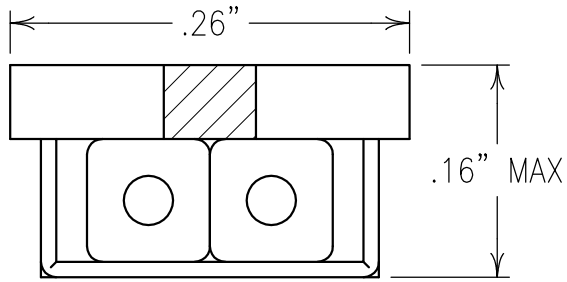


2

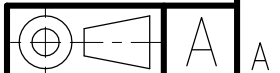
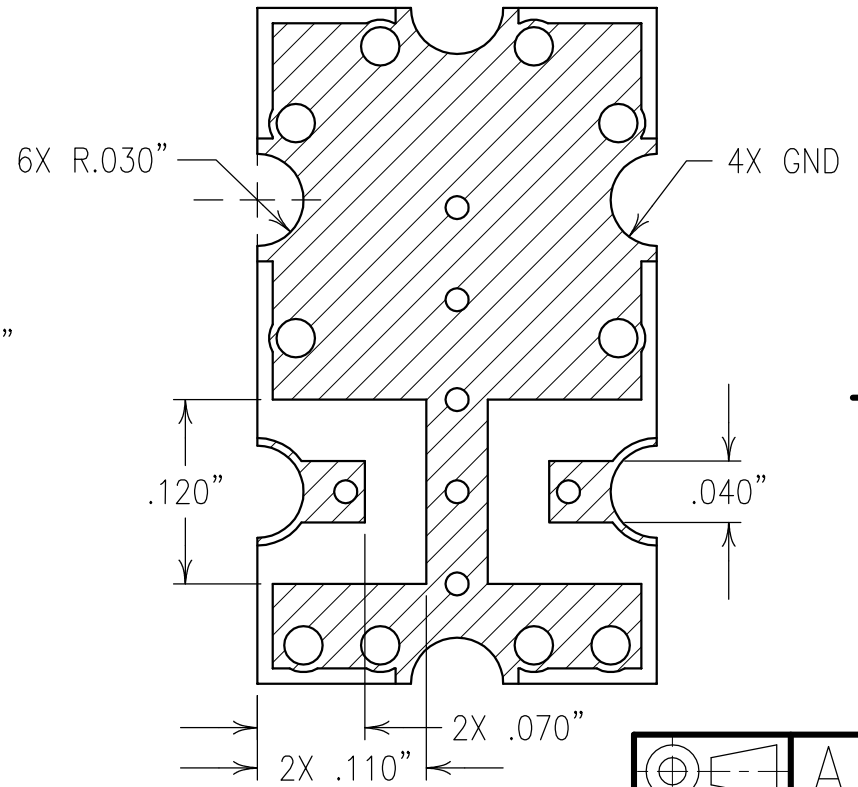
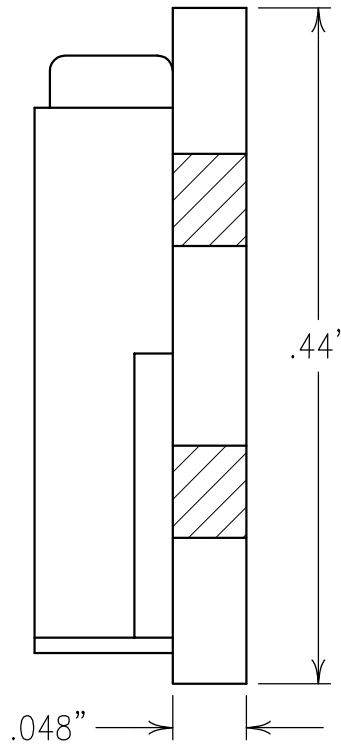
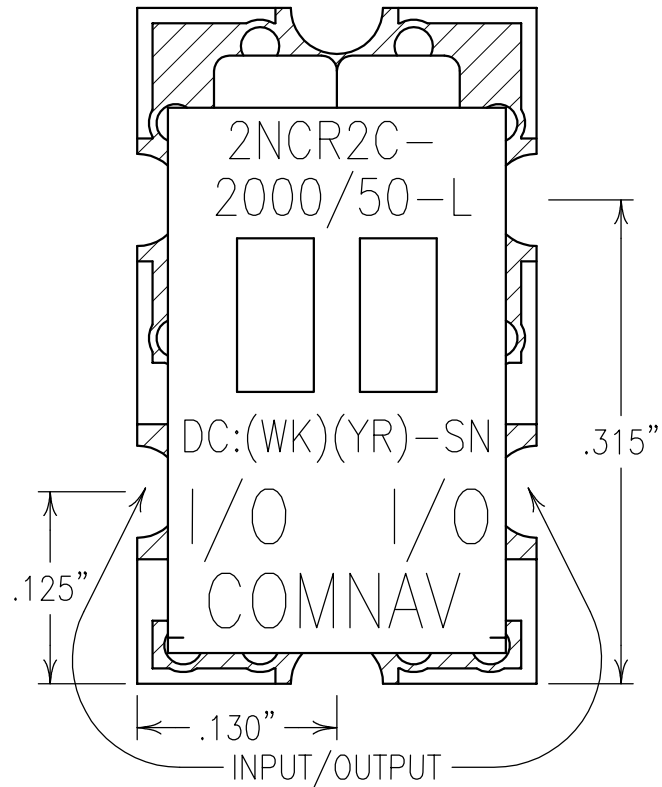
1



**COPY**

**ELECTRICAL CHARACTERISTICS**

CENTER FREQUENCY: 2000 MHz  
 PASSBANDS: 1500-1900 MHz  
 2100-2500 MHz  
 PASSBAND LOSS: 0.75 dB MAX  
 RETURN LOSS: 2.0:1 TYPICAL  
 REJECTION: 20 dBc MIN @ 2000 MHz



**NOTES:**

Confidential and Proprietary information of ComNav Engineering Inc. Do Not Duplicate or Use Without Permission. ComNav Engineering Inc. claims Copyright in this document as of the Creation, last revision, and last updated dates. All Rights Reserved.

RECOMMENDED ATTACHMENT METHOD: SILVER EPOXY  
 OR REFLOW NOT TO EXCEED TABLE: TEMP.(°C) MAX. TIME(SEC)

|     |    |
|-----|----|
| 215 | 90 |
| 230 | 60 |
| 245 | 30 |
| 260 | 15 |

FILTER MAY BE LABELED OR ETCHED.  
 FILTER IS ROHS COMPLIANT.



ENGLISH / METRIC  
 ENGLISH

TOLERANCES UNLESS OTHERWISE SPECIFIED MACHINED SURFACES TO BE 125/ OR BETTER REMOVE ALL BURRS

|                  |             |
|------------------|-------------|
| ENGLISH (INCHES) | METRIC (MM) |
| .XX ±.02         | .X ±.25     |
| .XXX ±.010       | .XX ±.13    |
| ANGLES ± 0° 30'  |             |

|  |         |     |                    |                    |
|--|---------|-----|--------------------|--------------------|
| CHECKED BY   |         |     |                    |                    |
| DRAWN BY   | PBF     |     |                    |                    |
| ENGINEER   | KJR     |     |                    |                    |
| SCALE  | 8:1     |     |                    |                    |
| DATE   | 23JAN09 |     |                    |                    |
| REV  | DATE    | BY  | DCN No.            | INI. ISS. PER 2997 |
| II   | 20JAN09 | KJR | DEV.               |                    |
| APPLIC: CERAMIC COAXIAL FILTER                                   |         |     |                    |                    |
| TITLE: 2NCR2C-2000/50-L  |         |     |                    | SHEET OF 1 1       |
| FINISH: BOARD: NI/GOLD<br>JACKET: NI/SILVER<br>RESONATOR: SILVER |         |     | DRAWING No. 0L0974 |                    |