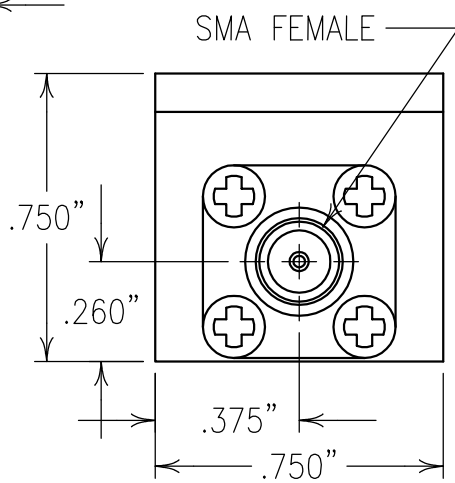
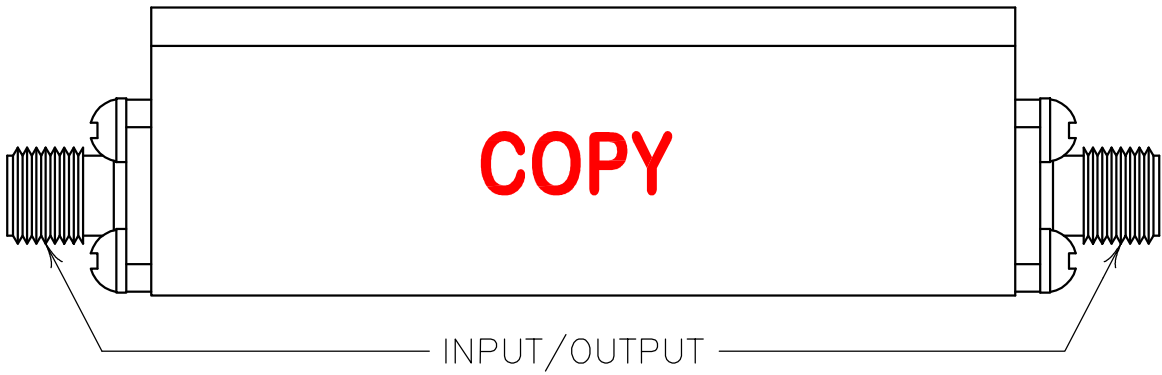
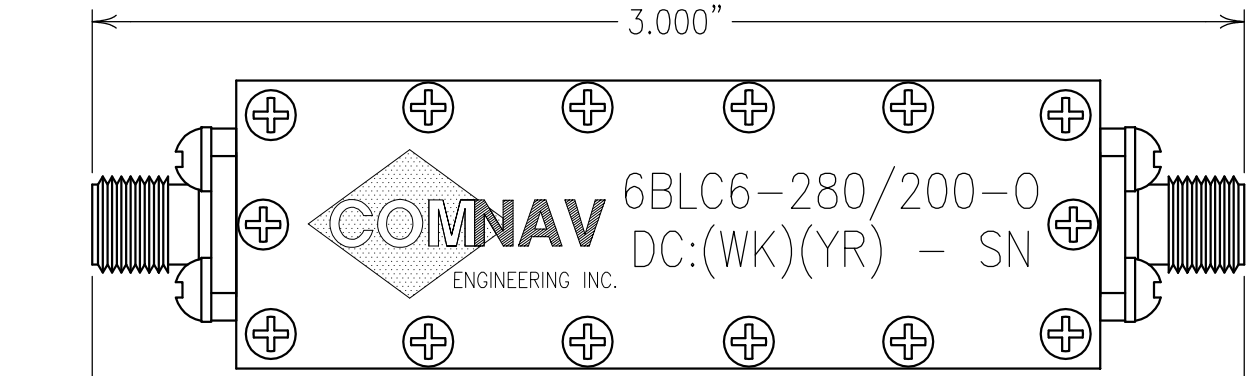


2

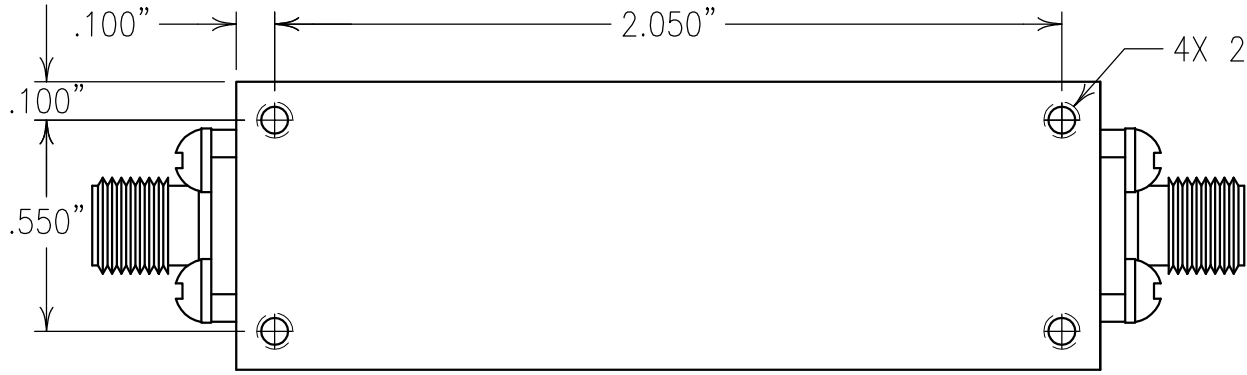
1

ELECTRICAL CHARACTERISTICS

CENTER FREQUENCY: 280 MHz
 1 dB BANDWIDTH: 120 MHz MIN
 INSERTION LOSS: 0.75 dB MAX @ F0
 REJECTION:
 60 dBc MIN @ 130 MHz
 60 dBc MIN @ 405 MHz
 VSWR: 1.5:1 TYPICAL
 OPERATING TEMP.: -20 TO +60°C



ENGLISH / METRIC	
ENGLISH	
TOLERANCES UNLESS OTHERWISE SPECIFIED	
MACHINED SURFACES TO BE 125/0R BETTER	
REMOVE ALL BURRS	
ENGLISH (INCHES)	METRIC (MM)
.XX ±.02	.X ±.2
.XXX ±.01	.XX ±.13
ANGLES ± 0° 30'	



CHECKED BY					
DRAWN BY	PBF				
ENGINEER	KJR	II	10DEC08	KJR	DEV. INI. ISS. PER 2984
SCALE	2:1	REV	DATE	BY	DCN No. REMARKS
DATE	16DEC08	APPLIC:	CHIP AND WIRE FILTER		
TITLE:	6BLC6-280/200-0	SHEET OF	1 1		

Confidential and Proprietary information of ComNav Engineering Inc. Do Not Duplicate or Use Without Permission. ComNav Engineering Inc. claims Copyright in this document as of the Creation, last revision, and last updated dates. All Rights Reserved.



MATERIAL: ALUMINUM
 FINISH: SILVER

DRAWING No.
 0L0973